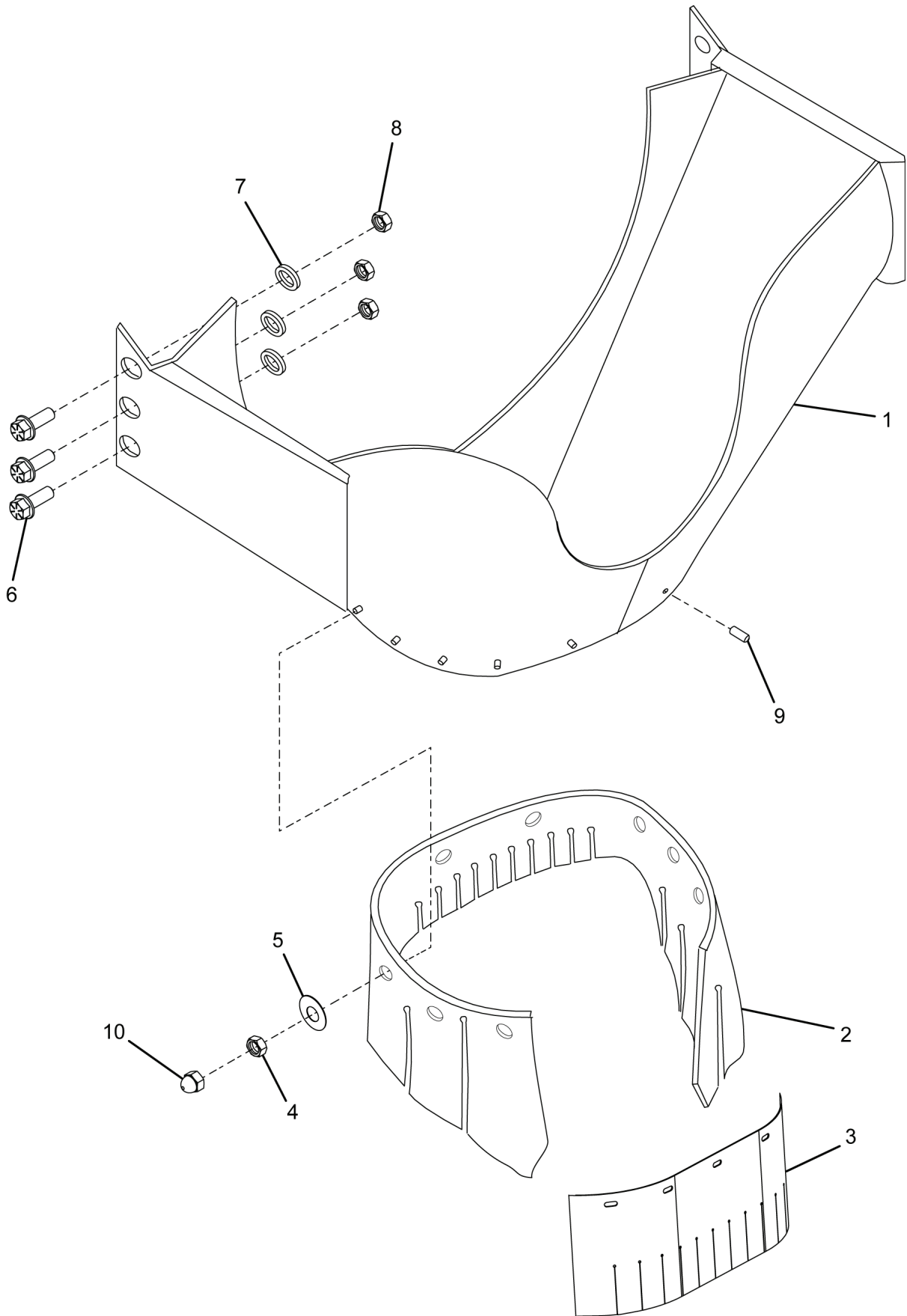


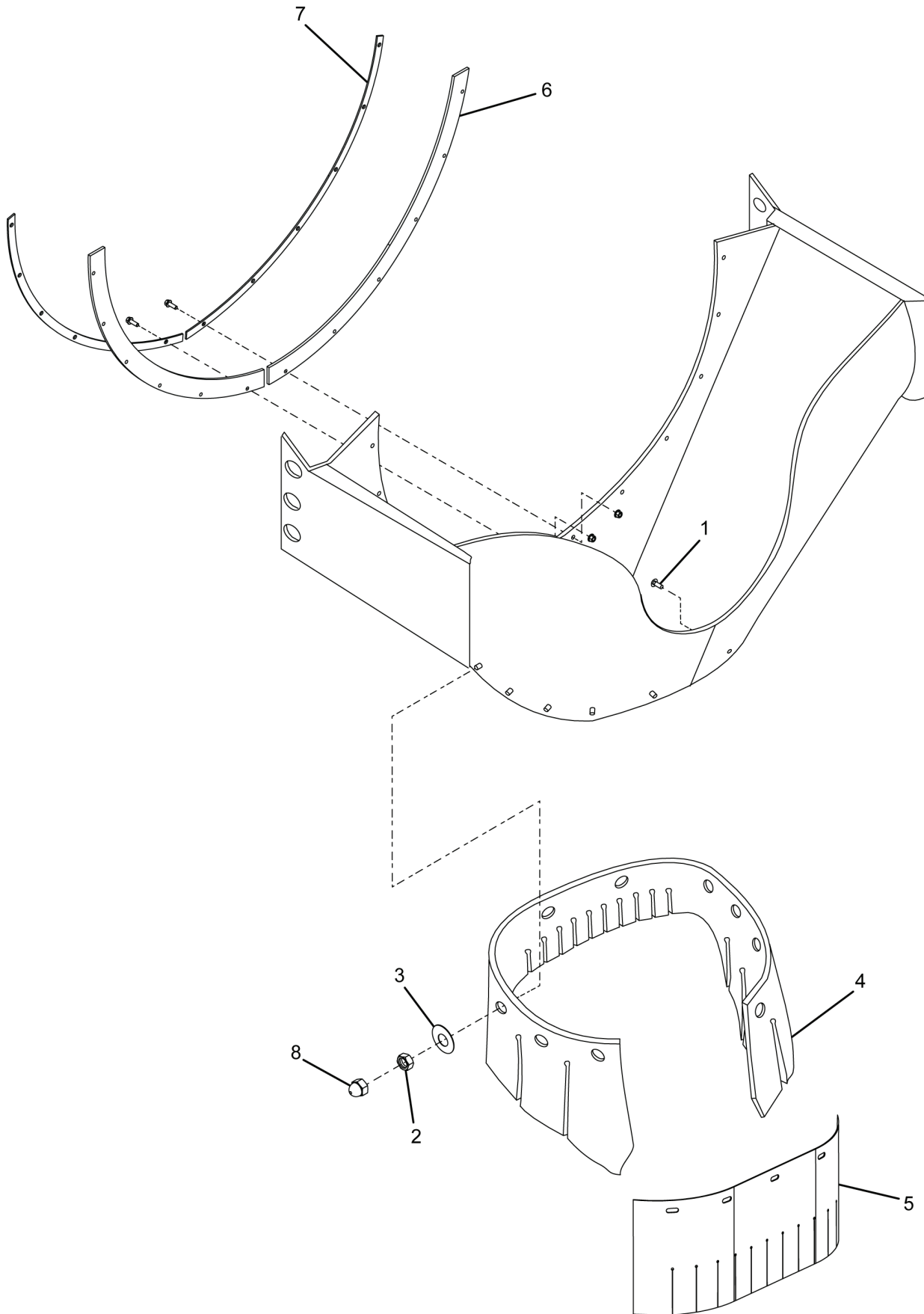
1



ITEM	PART #	PART DESCRIPTION	UOM	QTY
1	1180632	COLLECTOR - NON-PAVER, 3 BOLT	EA	1
2	0115236	BOOT,COLLECTOR CHUTE R	EA	1
2	1140780	BIB,COLL,TYPE 3 POLY,115236	EA	1
3	1261897	BOOT,CLTR CHUTE ENCLSD RUBBER	EA	1
3	1261898	BOOT,CLTR CHUTE ENCLSD POLY	EA	1
4	1100401	NUT,HEX .38-16 NY	EA	11
5	0200700	WASH,FLT .38X1.50X.07 ZC	EA	11
6	1243656	SCR,FLG,HEX .62-11X1.75 G8 ZY	EA	6
7	0120291	WASH,HVY DUTY .62X2.50X.19	EA	6
8	0120202	NUT,FLG,LKDT .62-11 GG CW	EA	6
9	1263247	3/8-16 X 3/4 CF WELD STUD	EA	11
10	1518028	NUT,ACRN .38-16 NY BLK	EA	13



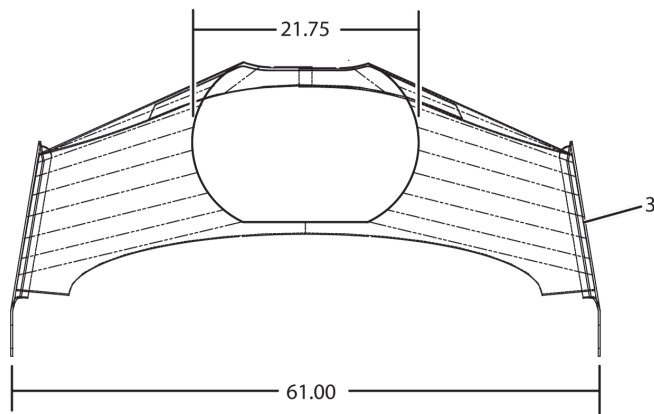
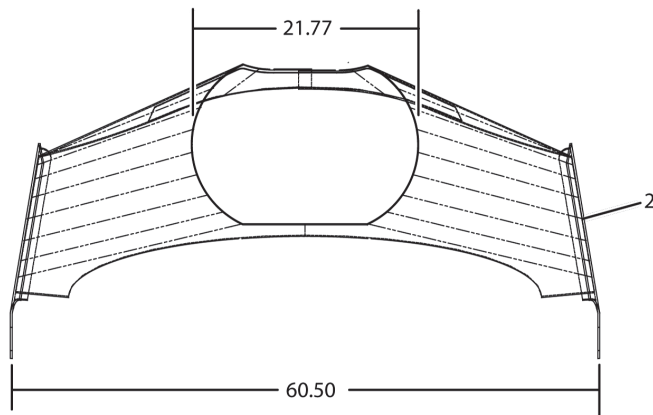
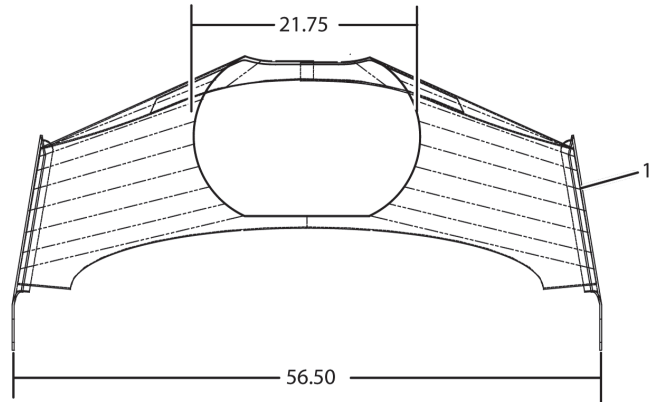
1



ITEM	PART #	PART DESCRIPTION	UOM	QTY
1	1324354	SCR,CRG .38-16X1.00 G5 ZC	EA	11
2	1100401	NUT,HEX .38-16 NY	EA	11
3	0200700	WASH,FLT .38X1.50X.07 ZC	EA	11
4	1140780	BIB,COLL,TYPE 3 POLY,115236	EA	1
4	0115236	BOOT,COLLECTOR CHUTE R	EA	1
5	1261897	BOOT,CLTR CHUTE ENCLSD RUBBER	EA	1
5	1261898	BOOT,CLTR CHUTE ENCLSD POLY	EA	1
6	1231648	BOOT,RBR,REV COLLECTOR	EA	2
7	1231627	STRIP,BACKING,COLLECTOR REV	EA	2
8	1518028	NUT,ACRN .38-16 NY BLK	EA	11

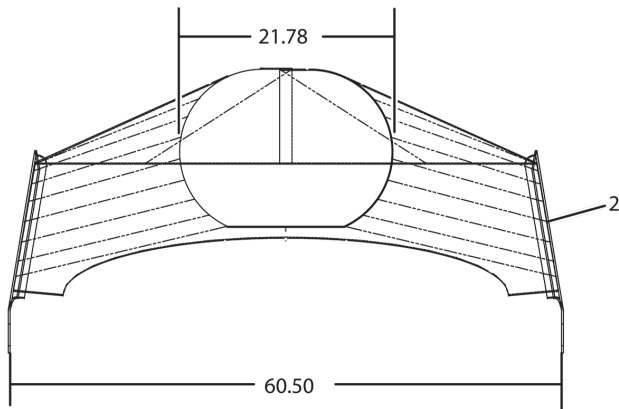
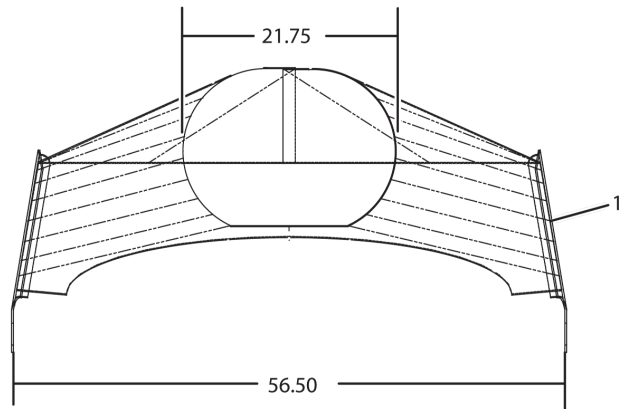


1



ITEM	PART #	PART DESCRIPTION	UOM	QTY
1	1340390	COLLECTOR,CHUTE STD CUTOUT	EA	1
2	1340393	COLLECOTR,CHUTE PVR CUTOUT	EA	1
3	1340396	COLLECTOR,CHUTE REV CUTOUT	EA	1

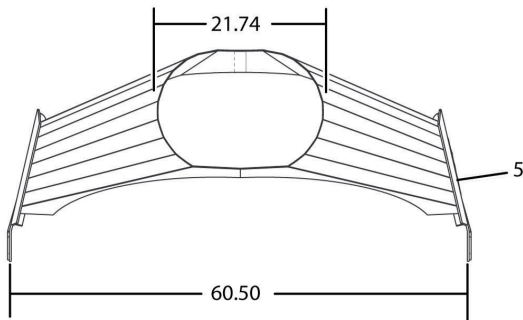
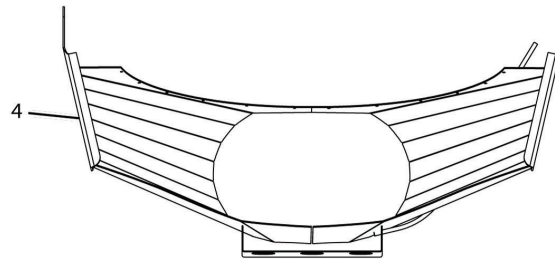
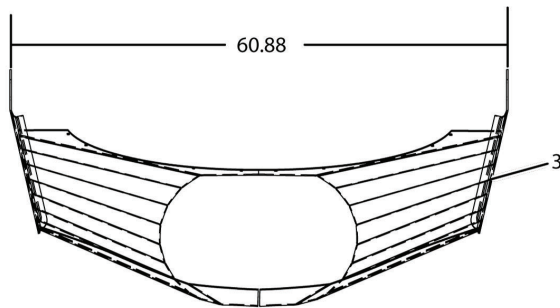
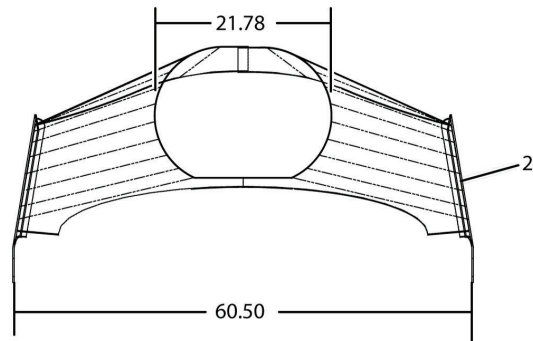
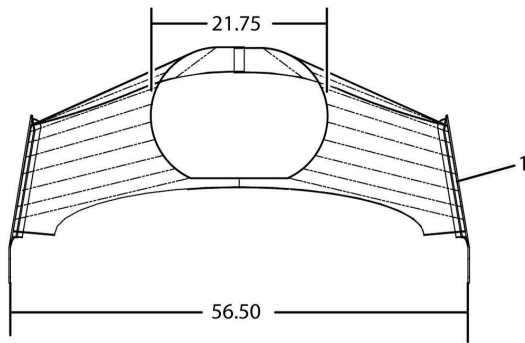
1



ITEM	PART #	PART DESCRIPTION	UOM	QTY
1	1340387	COLLECTOR,CHUTE STD ENCLSD	EA	1
2	1340399	COLLECTOR,CHUTE PVR ENCLSD	EA	1

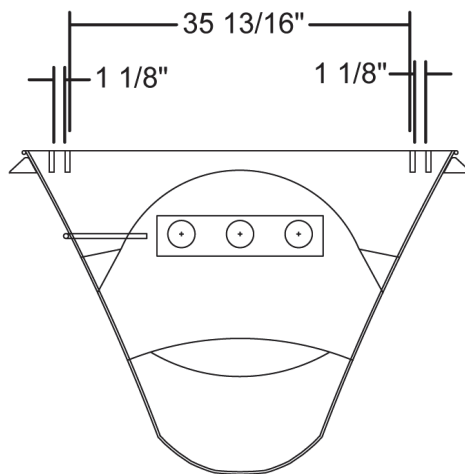
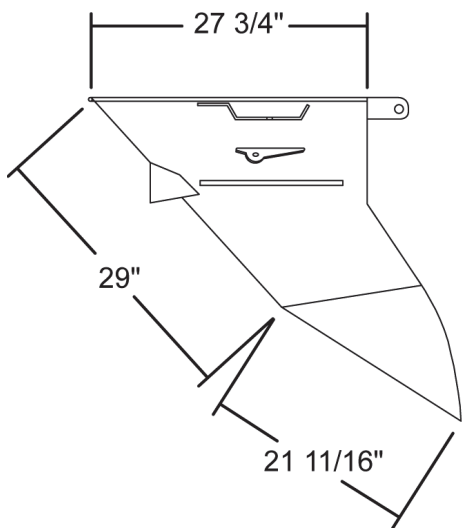
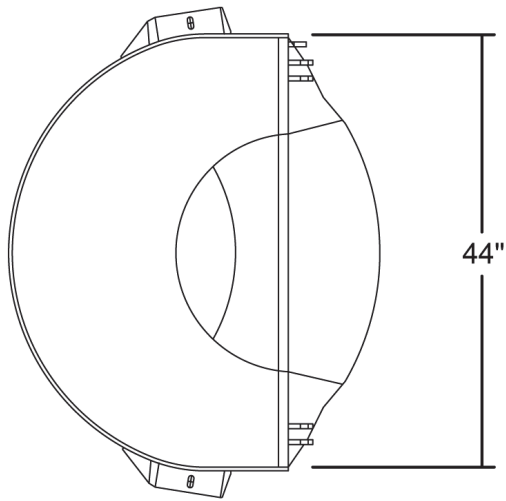
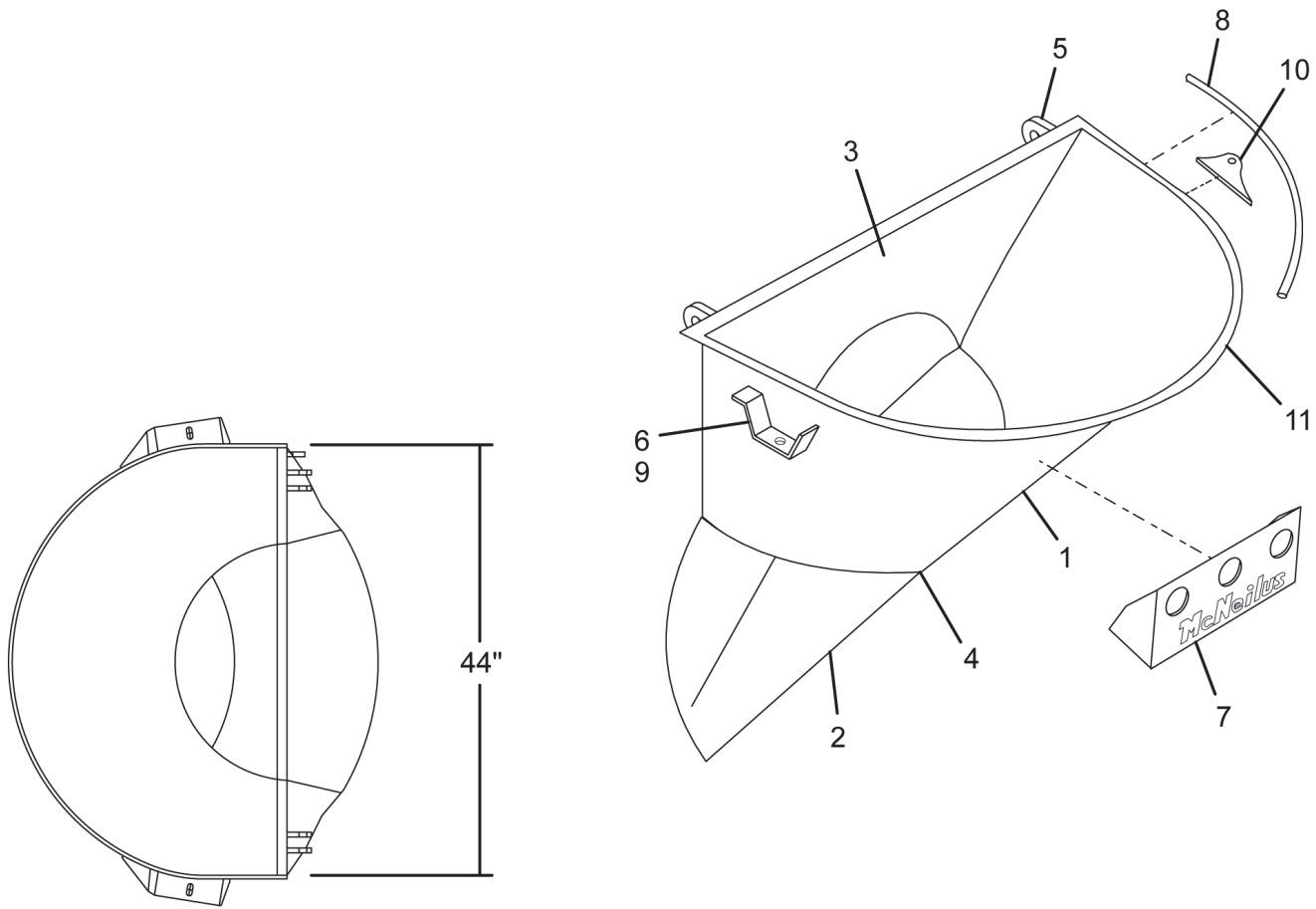


1



ITEM	PART #	PART DESCRIPTION	UOM	QTY
1	1340293	COLLECTOR,CHUTE NON PVR WLDT	EA	1
2	1340370	COLLECTOR,CHUTE PVR WLDT	EA	1
3	1360818	COLLECTOR,CHUTE REV WLDT	EA	1
4	1360857	COLLECTOR,REV LIGHT BAR WLDT	EA	1
5	1360795	COLLECTOR,CHUTE PVR WLDT	EA	1

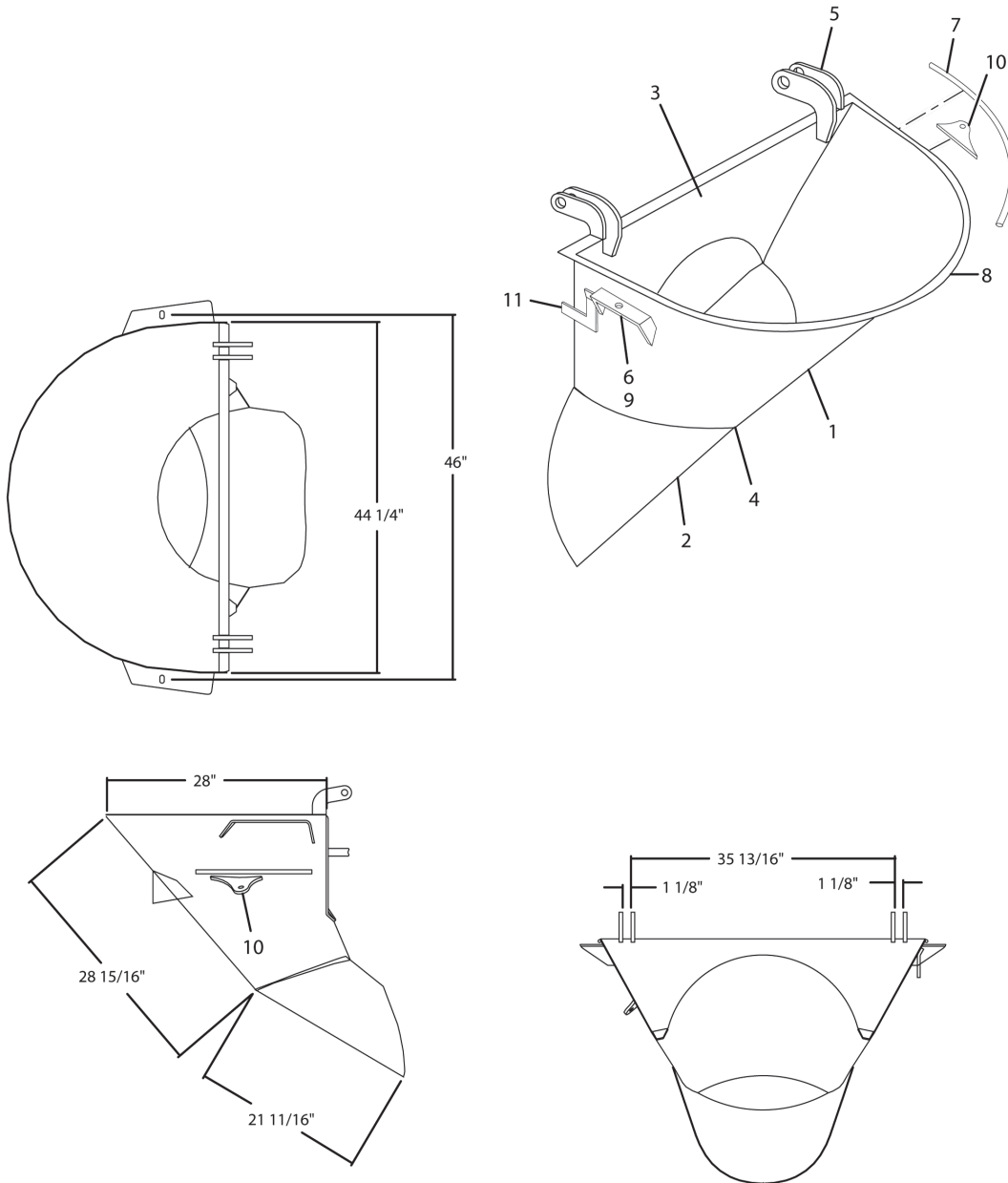
1



ITEM	PART #	PART DESCRIPTION	UOM	QTY
	0155140	HOPPER,STANDARD CHARGE	EA	1
	0155140PW	HOPPER - CHG,44,STD,WHITE,WLDT	EA	1
	1181109	HOPPER - CHARGE, STD LINER, W/O LIGHT, 44"	EA	1
	1130106	HOPPER - NON-PAVER, LINED, 44"	EA	1
	1130107	HOPPER - NON-PAVER, NO LIGHTS, 44"	EA	1
	1130107PW	HPR,CHG,STD,44.00,W/O LT,WHT	EA	1
1	0153606	SHELL,PAVER DROP 46.00 HOPPER	EA	1
2	0014022	LIP,CHG HPR SUPER PACEMAKER	EA	1
3	0155142	PLATE - PAVER DROP HOPPER	EA	1
4	0152257	LINER,CHG HPR LIP CORNER	EA	1
5	0152254	EYE,MT,LO-PRO CHG HPR	EA	4
6	1100320	SPRT - HPR - 42" W DROP, RH	EA	1
7	0153578	BAR - HOPPER LIGHT	EA	1
8	0155134	EDGING - ROD	EA	1
9	1100321	SPRT - HPR - 42" W DROP, LH	EA	1
10	0153373	EYE,MT,HPR CYL	EA	1
11	0150259	TUBE,HPR,HIGH CHARGE WIRING	EA	1
	0150266	LINER - LIP	EA	1
	1108582	LINER - BODY	EA	1

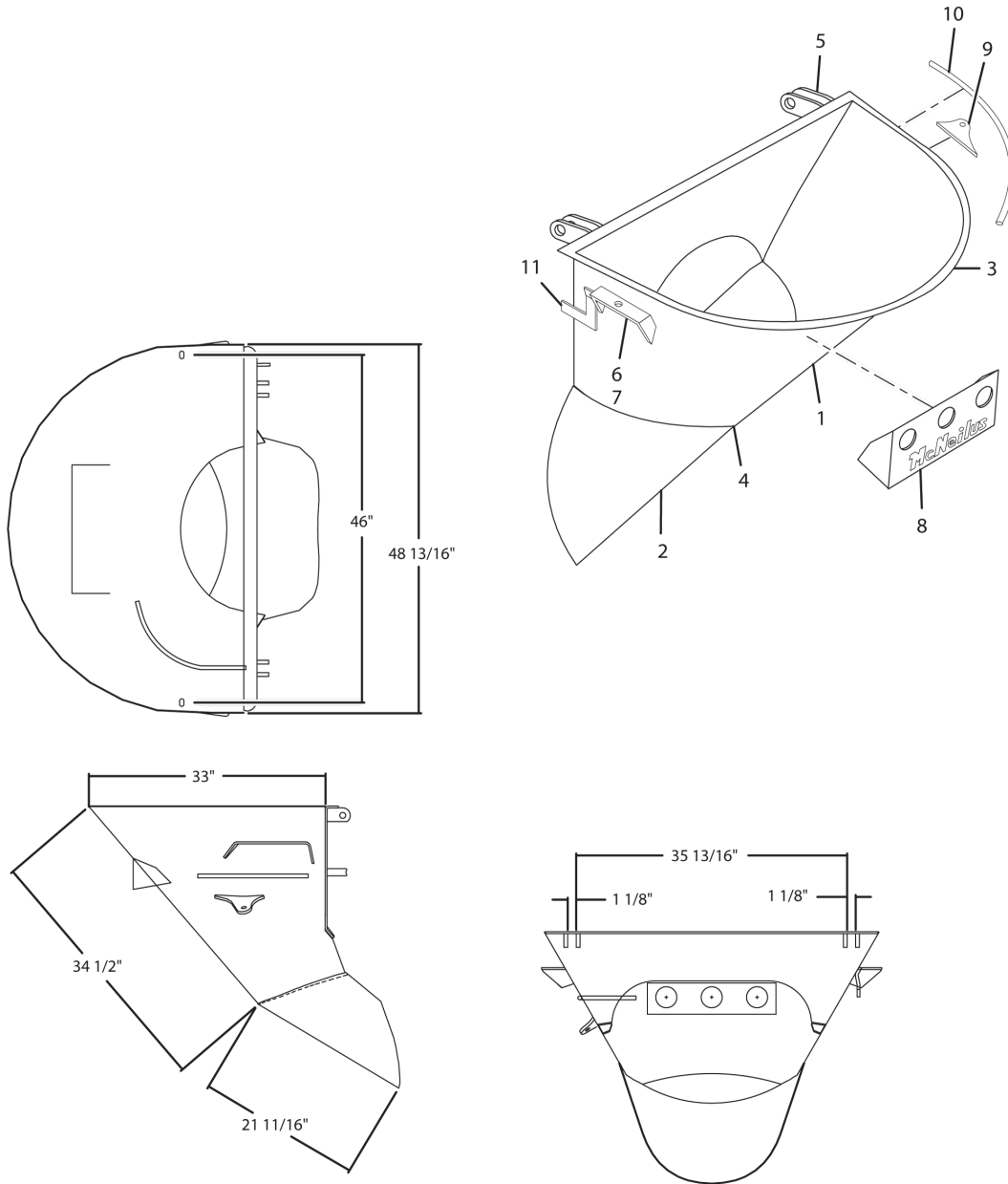


1



ITEM	PART #	PART DESCRIPTION	UOM	QTY
	1130109	HOPPER - PAVER DROP MOUNT, NO LIGHTS, 46"	EA	1
	1130108	HOPPER - PAVER DROP MOUNT, LINED, 46"	EA	1
	1105498	HOPPER - PAVER, 46" DROP	EA	1
	1105498PW	HPR,CHG,46 PVR DROP,WHT	EA	1
	1240035	HOPPER,46 PVR DROP W/O LGT	EA	1
1	0153606	HOPPER - BODY, PAVER DROP, 46"	EA	1
2	0014022	LIP - HOPPER, CHARGE	EA	1
3	0153607	PLATE - HOPPER FRONT, PAVER DROP, 46"	EA	1
4	0152257	LINER - CORNER LIP, CHARGE HOPPER	EA	1
5	1108033	EYE - HOPPER MOUNT, PAVER DROP	EA	4
6	0155136	PLATE - HOPPER SIDE WING BOLT, 46" WIDE PAVER, RH	EA	1
7	0150259	TUBE - CHARGE HOPPER WIRING	EA	1
8	0155134	EDGING - ROD	EA	1
9	0155137	PLATE - HOPPER SIDE WING BOLT, 46" WIDE PAVER, LH	EA	1
10	0153373	EYE - HOPPER CYLINDER MOUNT	EA	1
11	1131887	PLATE - HOPPER PROP (PAVER)	EA	1
	0150226	LINER - HOPPER CHARGE	EA	1
	1108582	LINER - BODY	EA	1

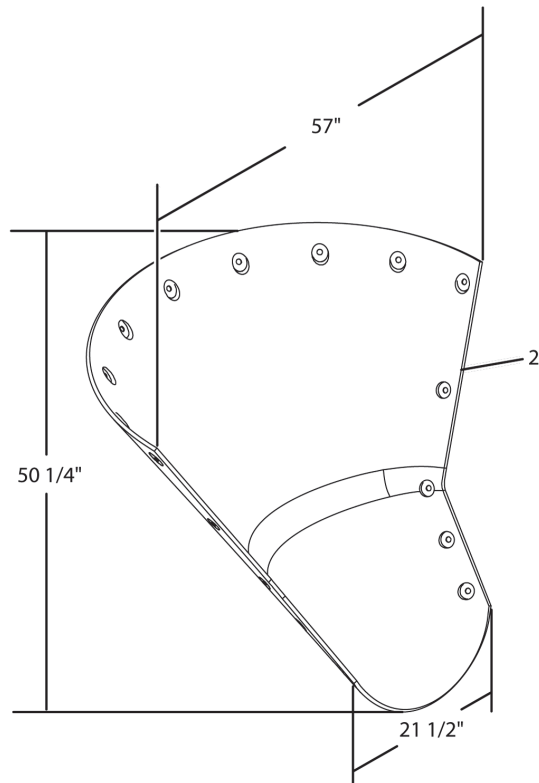
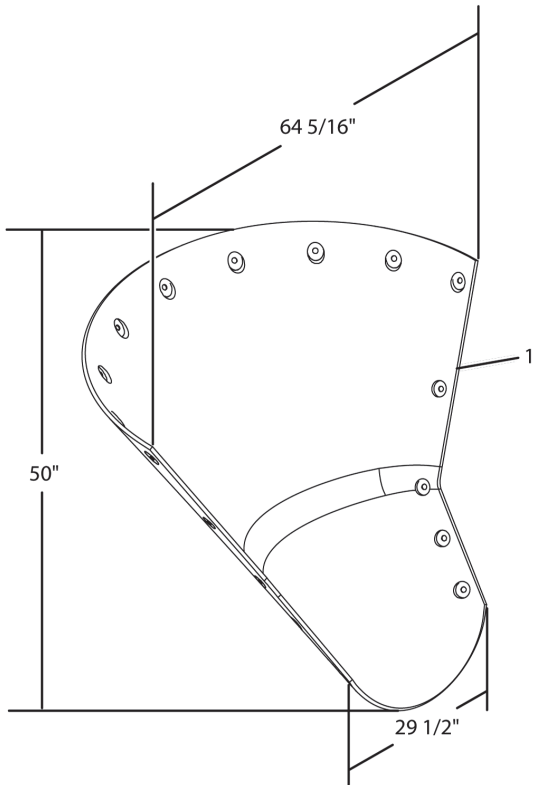




ITEM	PART #	PART DESCRIPTION	UOM	QTY
	0155130	HOPPER - CHARGE PAVER 48"	EA	1
	1130110	HOPPER - PAVER, LINED, 48"	EA	1
	1130111	HOPPER - PAVER, NO LIGHTS, 48"	EA	1
	1240033	HOPPER,48 PVR W/O LIGHT LINED	EA	1
1	0155131	HOPPER - BODY HIGH, 48" WIDE	EA	1
2	0014022	LIP - HOPPER, CHARGE	EA	1
3	0155132	HOPPER - FRONT PLATE HIGH, 48" WIDE	EA	1
4	0152257	LINER - CORNER LIP, CHARGE HOPPER	EA	1
5	0152254	EYE - HOPPER MOUNT, LOW PROFILE CHARGE	EA	1
6	0155136	PLATE - HOPPER SIDE WING BOLT, 48" WIDE PAVER, RH	EA	1
7	0155137	PLATE - HOPPER SIDE WING BOLT, 48" WIDE PAVER, LH	EA	1
8	0153578	BAR - HOPPER LIGHT	EA	1
9	0150259	TUBE - CHARGE HOPPER WIRING	EA	1
10	0155134	EDGING - ROD	EA	1
11	1131887	PLATE - HOPPER PROP (PAVER)	EA	1
	0153373	EYE - HOPPER CYLINDER MOUNT	EA	1
	1108583	LINER - HOPPER BODY	EA	1
	0150226	LINER - HOPPER CHARGE	EA	1



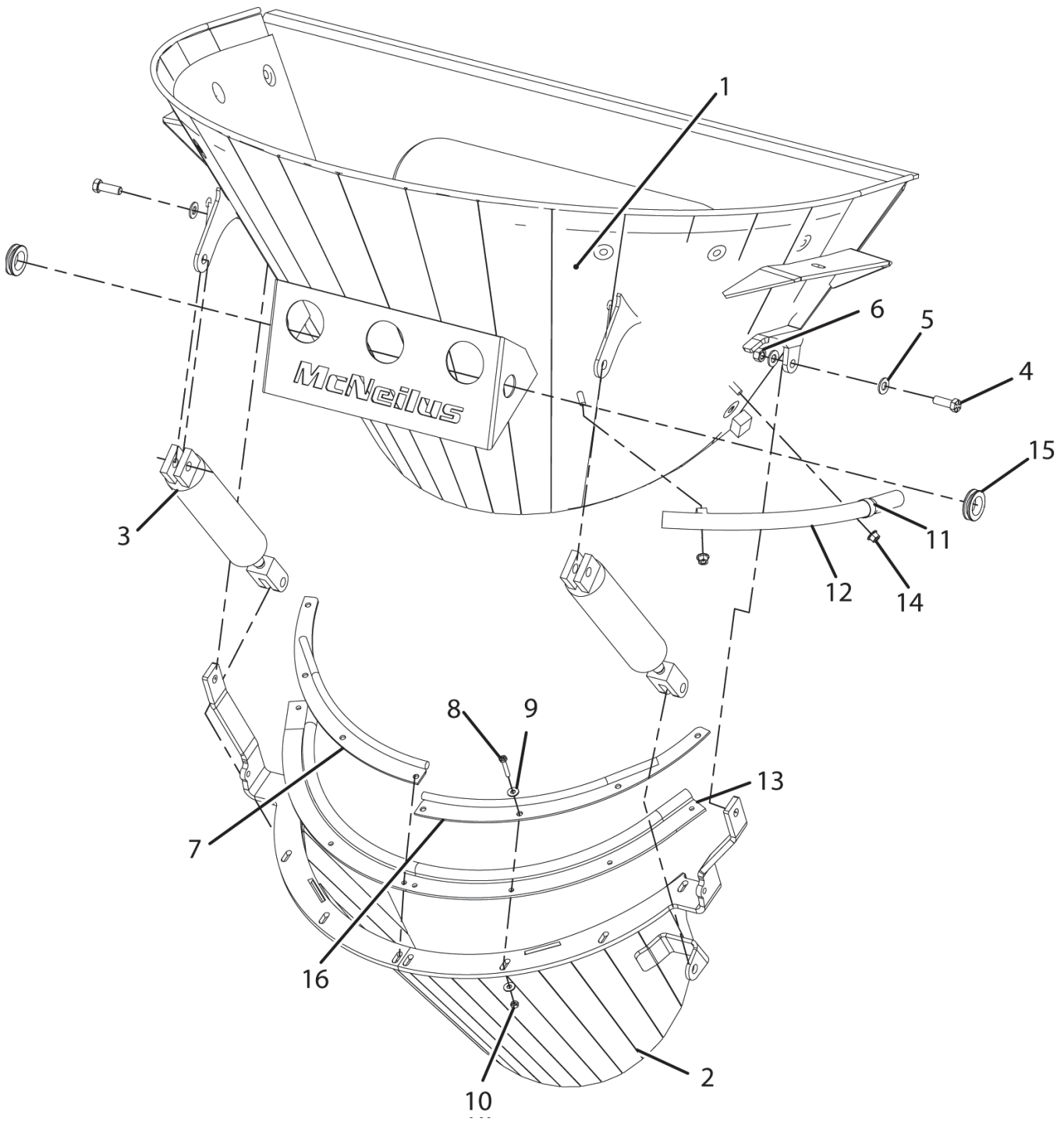
1



ITEM	PART #	PART DESCRIPTION	UOM	QTY
1	1404735	LINER,HPR,DUREX,STD 44	EA	1
2	1372969	LINER,HPR,STD,MTM,DUREX	EA	1



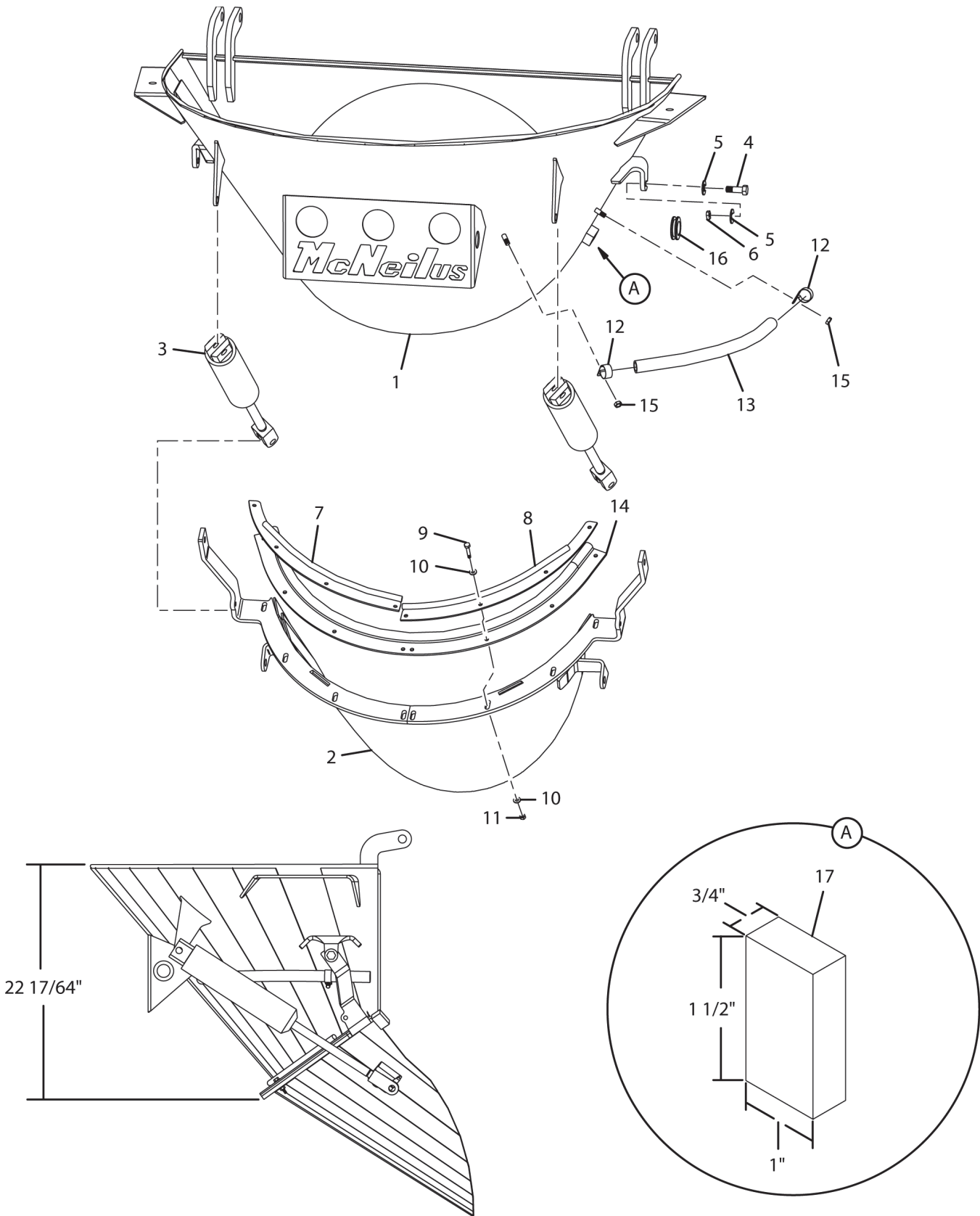
1



ITEM	PART #	PART DESCRIPTION	UOM	QTY
	1462726	HOPPER,PVR CHG,SAT,DUREX	EA	1
1	1462727	HOPPER,UPR BODY,PVR,DUREX	EA	1
2	1263309	LIP,HPR,SWING AWAY THROAT	EA	1
3	0107616	CYL,AIR,HPR UP,2.50X8.00	EA	2
4	1136745	SCR,CAP,HEX .50-13X1.50 G8 ZY	EA	2
5	0120279	WASH,FLT .50X1.06X.12 ZY HDN	EA	4
6	0005330	NUT,HEX .50-13 G8 ZY	EA	2
7	1268577	RETAINER,SEAL,SAT,ROD,LH	EA	1
8	1134370	SCR,CAP,HEX .25-20X1.50 G8 ZY	EA	8
9	0120275	WASH,FLT .25X.75X.06 ZY HDN	EA	16
10	0100486	NUT,HEX .25-20 G5 ZC	EA	8
11	1165434	CLIP,CSHN 1.12-1.19 ST VY	EA	2
12	1253029	HOSE, .75X18 SAT HPR WIRING	EA	1
13	1181298	SEAL,RBR,HPR LIP,SAT,P STYLE	EA	1
14	0120200	NUT,FLG,LKDT .38-16 GG CW	EA	2
15	1243627	1-1/4X1/4X1-1/2X2 GR	EA	2
16	1268578	RETAINER,SEAL,SAT,ROD,RH	EA	1



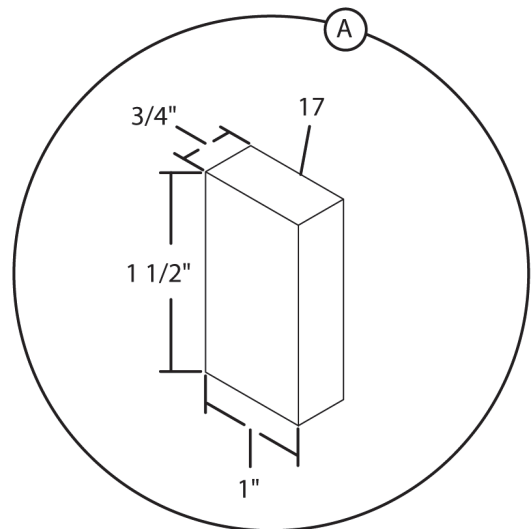
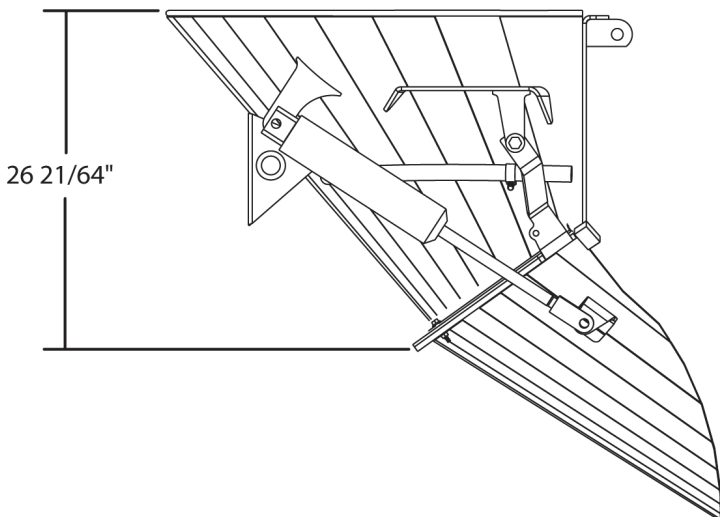
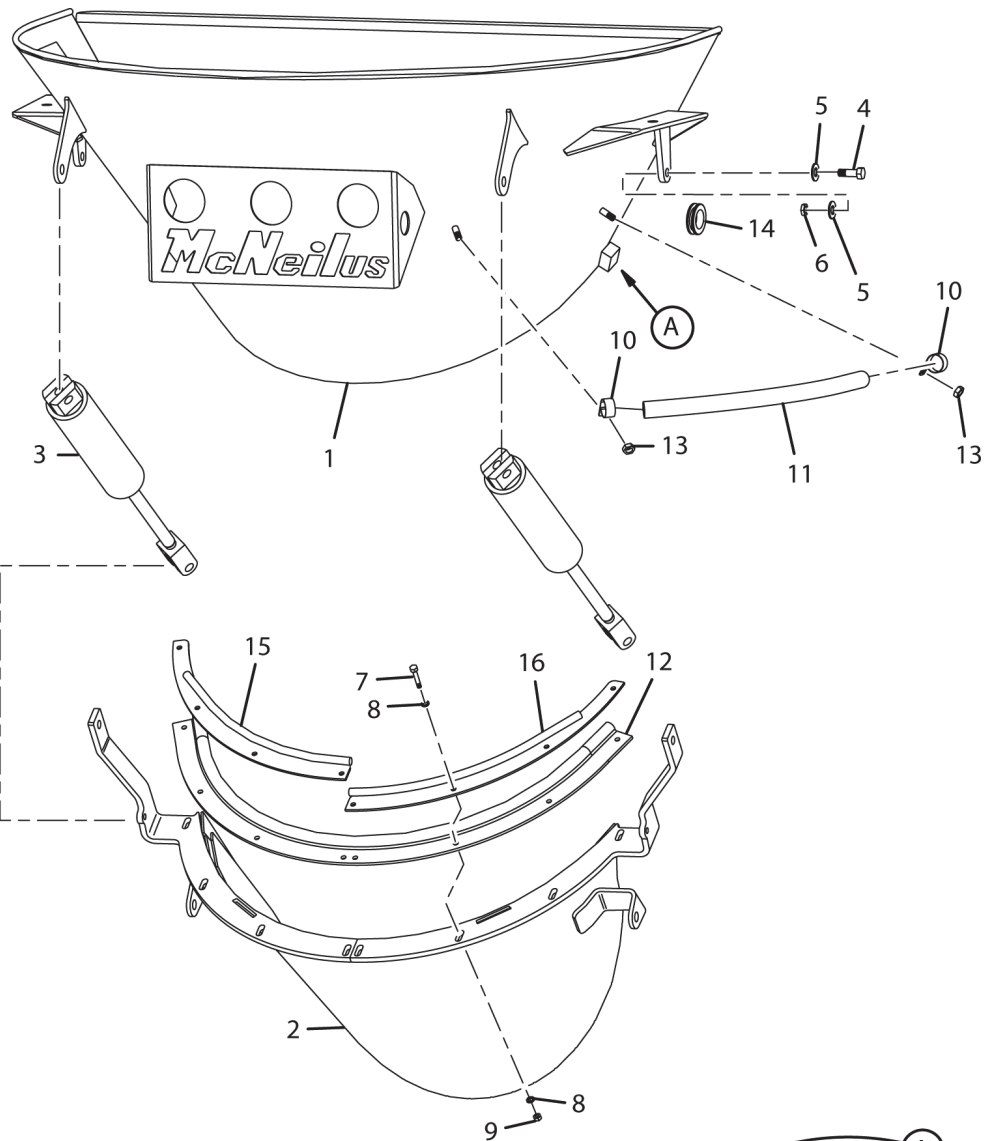
1



ITEM	PART #	PART DESCRIPTION	UOM	QTY
	1270116	WELDMENT - CHARGE, SAT, PAVER DROP, LINED HOPPER	EA	1
1	1270118	HOPPER - UPPER, SAT, PVR DROP, LINED	EA	1
1	1178677	LINER,HPR SAT PVR DROP	EA	1
2	1270121	LIP - HOPPER, SAT, LINED	EA	1
2	1178678	LINER,HOPPER LIP SAT	EA	1
3	0107616	CYLINDER - AIR, 2-1/2" X 8	EA	2
4	1136745	SCR,CAP,HEX .50-13X1.50 G8 ZY	EA	2
5	0120279	WASH,FLT .50X1.06X.12 ZY HDN	EA	4
6	0005330	NUT,HEX .50-13 G8 ZY	EA	2
7	1268577	RETAINER - SEAL, SAT, ROD, LH	EA	1
8	1268578	RETAINER - SEAL, SAT, ROD, RH	EA	1
9	1134370	SCR,CAP,HEX .25-20X1.50 G8 ZY	EA	8
10	0120275	WASH,FLT .25X.75X.06 ZY HDN	EA	16
11	0100486	NUT,HEX .25-20 G5 ZC	EA	8
12	1243653	CLAMP - LOOM, 3/8" HOLE #18	EA	2
13	1253029	HOSE - SAT HOPPER WIRING, 3/4" X 18	EA	1
14	1181298	SEAL - RUBBER EDGE, SAT HOPPER LIP	EA	1
15	0120200	NUT,FLG,LKDT .38-16 GG CW	EA	2
16	1243627	GROMMET - 1 1/4" X 1/4" X 1 1/2" X 2"	EA	2
17	1240978	BLOCK - STOP, 3/4" X 1" X 1 1/2"	EA	2



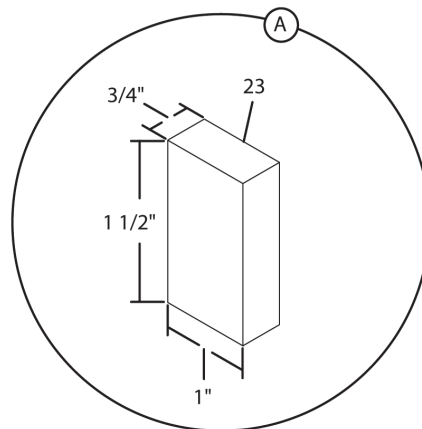
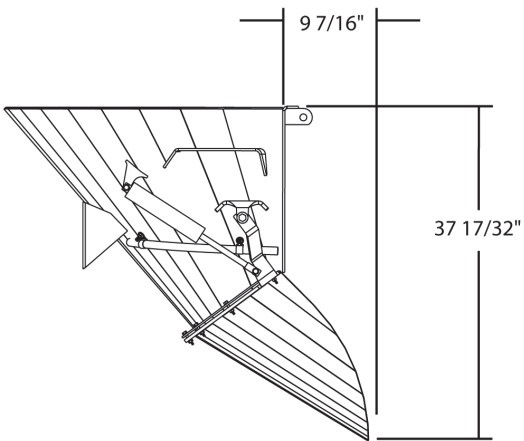
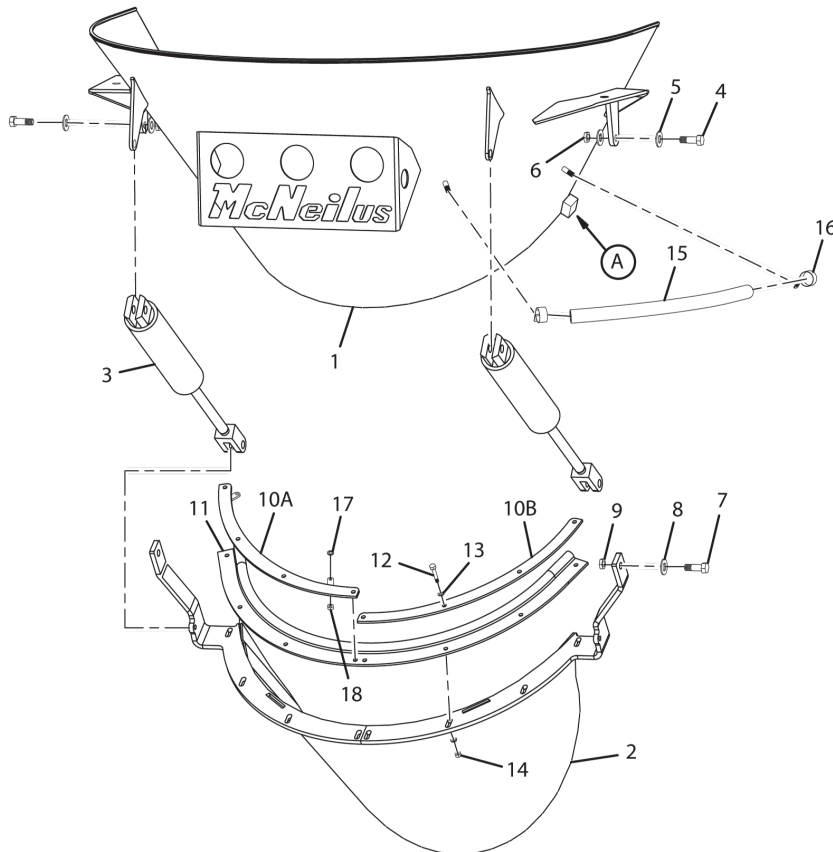
1



ITEM	PART #	PART DESCRIPTION	UOM	QTY
	1270117	WELDMENT - CHARGE HOPPER, SAT, PAVER, LINED	EA	1
1	1270120	HOPPER - UPPER, SAT, PAVER, LINED	EA	1
1	1178677	LINER,HPR SAT PVR DROP	EA	1
2	1270121	LIP - HOPPER, SAT, LINED	EA	1
2	1178678	LINER,HOPPER LIP SAT	EA	1
3	0107616	CYLINDER - AIR, 2-1/2" X 8	EA	2
4	1136745	SCR,CAP,HEX .50-13X1.50 G8 ZY	EA	2
5	0120279	WASH,FLT .50X1.06X.12 ZY HDN	EA	4
6	0005330	NUT,HEX .50-13 G8 ZY	EA	2
7	1134370	SCR,CAP,HEX .25-20X1.50 G8 ZY	EA	8
8	0120275	WASH,FLT .25X.75X.06 ZY HDN	EA	16
9	0100486	NUT,HEX .25-20 G5 ZC	EA	8
10	1243653	CLAMP - LOOM, 3/8" HOLE #18	EA	2
11	1253029	HOSE - SAT HOPPER WIRING, 3/4" X 18	EA	1
12	1181298	SEAL - RUBBER EDGE, SAT HOPPER LIP	EA	1
13	0120200	NUT,FLG,LKDT .38-16 GG CW	EA	2
14	1243627	GROMMET - 1 1/4" X 1/4" X 1 1/2" X 2"	EA	2
15	1268577	RETAINER - SEAL, SAT, ROD, LH	EA	1
16	1268578	RETAINER - SEAL, SAT, ROD, RH	EA	1
17	1240978	BLOCK - STOP, 3/4" X 1" X 1 1/2"	EA	2



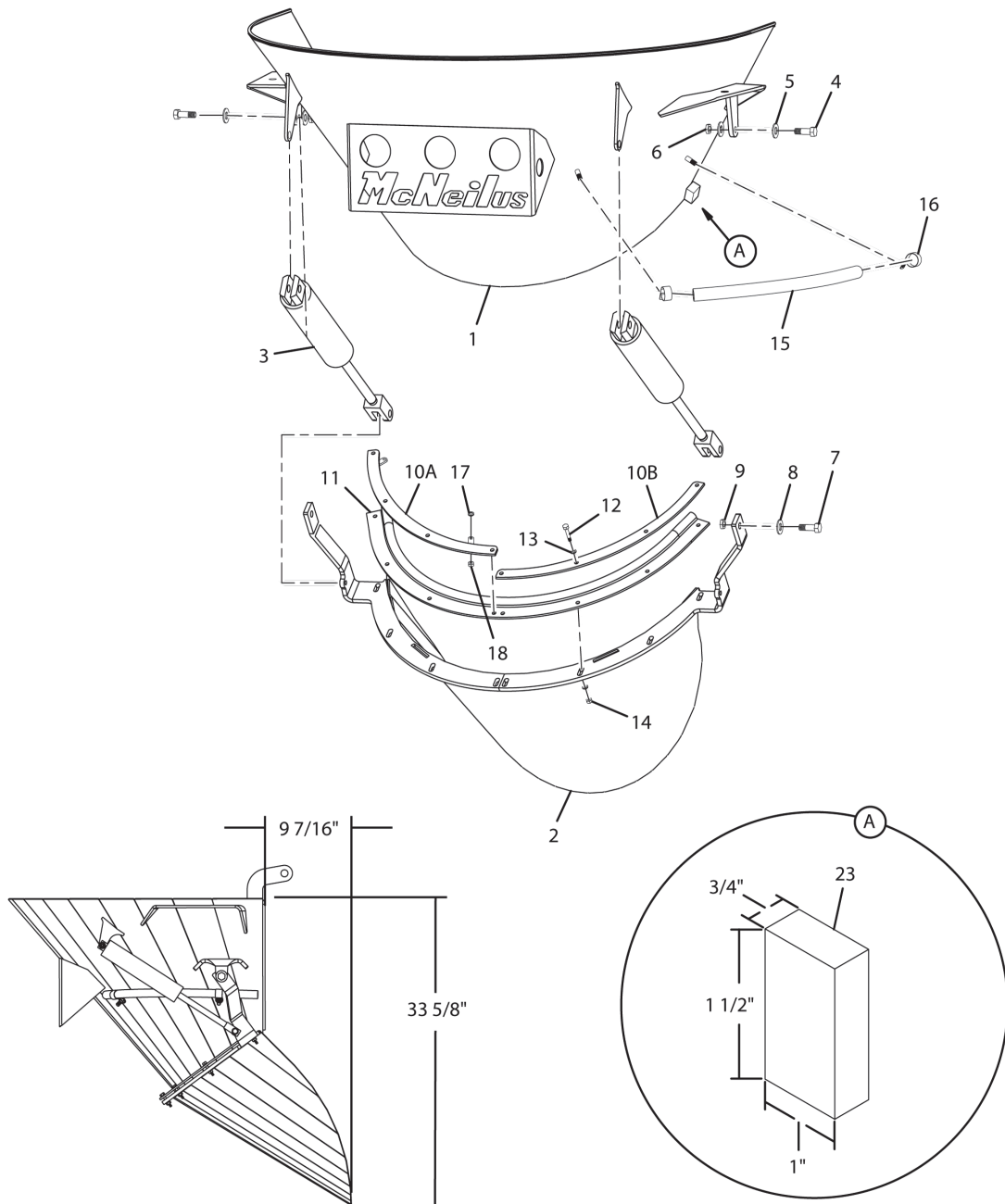
1



ITEM	PART #	PART DESCRIPTION	UOM	QTY
	1269854	ASSEMBLY - SAT HOPPER, NO LINER	EA	1
	1240037	ASSEMBLY - SAT HOPPER, NO LINER, NO LIGHT	EA	1
1	1269855	HOPPER - UPPER BODY, SAT, PAVER	EA	1
2	1263309	WELDMENT - SAT HOPPER, LIP	EA	1
3	0107616	CYLINDER - AIR HOPPER, 2-1/2" X 8"	EA	2
4	0005218	BOLT - HEX HEAD, 5/16"-18 UNC X 1-1/4"	EA	4
5	0100560	WASHER - FLAT, 1/2"	EA	8
6	0005327	NUT - HEX HEAD, 5/16"-18 UNC	EA	4
7	1136745	BOLT - HEX HEAD, 1/2"-13 UNC X 1-1/2" LONG, GR-8	EA	2
8	0120279	WASH - FLT, 1/2" X 1-1/16" X 1/16", ZY HDN	EA	4
9	0005330	NUT - HEX HEAD, 1/2"-13 UNC	EA	2
10A	1268577	RETAINER - SEAL, SAT, ROD, LH	EA	1
10b	1268578	RETAINER - SEAL, SAT, ROD, RH	EA	1
11	1181298	SEAL - RUBBER EDGE, SAT HOPPER LIP	EA	1
12	1134370	BOLT - HEX HEAD, 1/4"-20 UNC X 1-1/2" LONG	EA	8
13	0120275	WASHER - FLAT, STEEL, 1/4"	EA	16
14	0100486	NUT - HEX HEAD, STEEL, 1/4"-20 UNC	EA	8
15	1227765	HOSE - SAT HOPPER WIRING, 20"	EA	1
16	1227926	CLAMP - HOSE 7/8", HOLE 3/8"	EA	2
17	0005353	WASHER - FLAT, 3/8"	EA	2
18	0120200	NUT - FLG LKDT, 3/8"-16, G8 ZP	EA	2
	0003002	AIRLINE - YELLOW, 1/4"	FT	16
	1243620	LOOM - SPLIT WIRE, 1/4"	FT	3
	1140642	AIRLINE - GREEN, 1/4"	FT	16
	1101432	FITTING - 1/4" MALE TEE	EA	2
	1240978	BLOCK - STOP, 3/4" X 1" X 1 1/2"	EA	2
	1178678	LINER,HOPPER LIP SAT	EA	1
	1178677	LINER,HPR SAT PVR DROP	EA	1



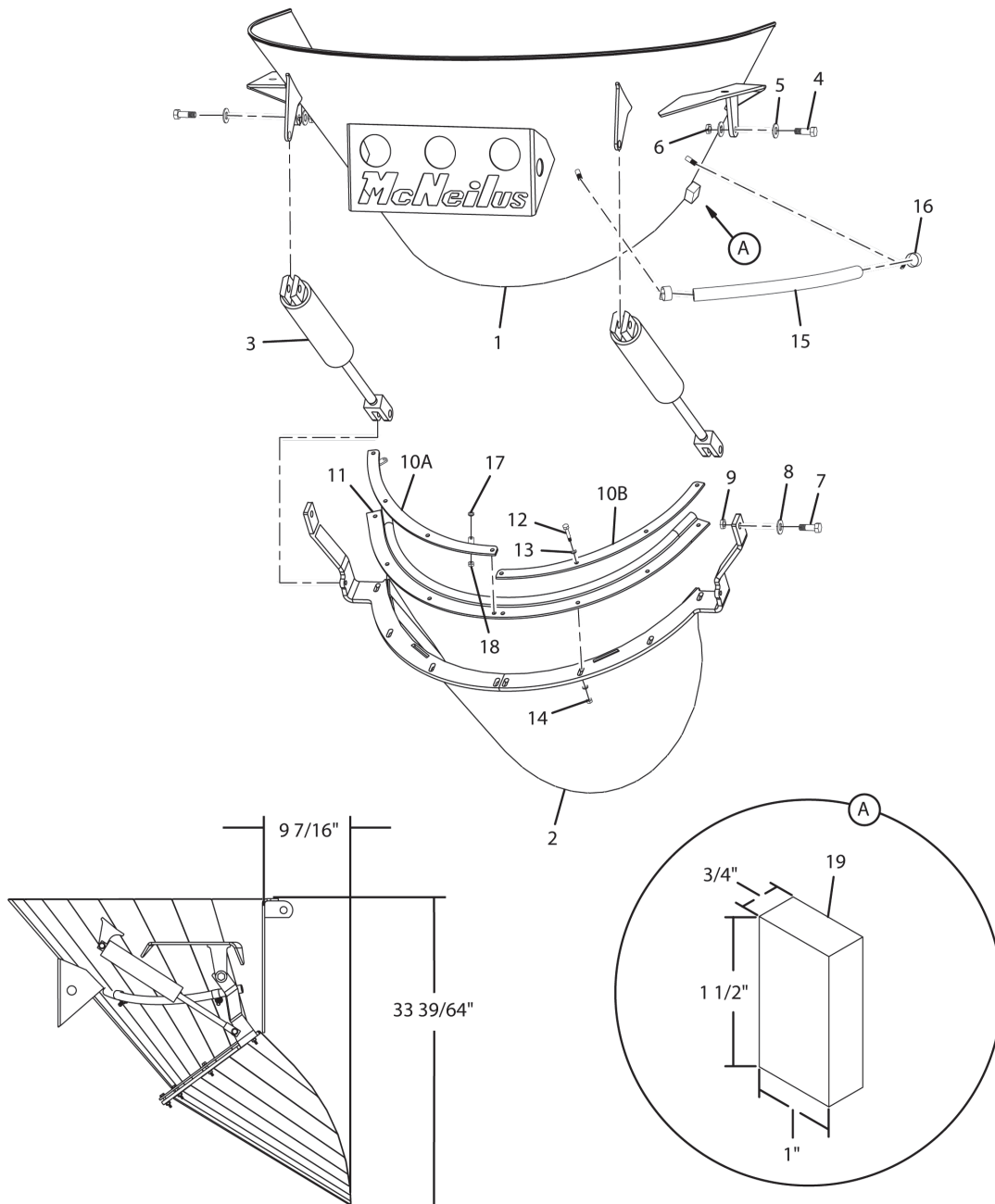
1



ITEM	PART #	PART DESCRIPTION	UOM	QTY
	1269471	ASSEMBLY - SAT HOPPER, NO LINER	EA	1
	1240038	ASSEMBLY - SAT HOPPER, NO LINER, NO LIGHT	EA	1
1	1269470	HOPPER - UPPER BODY, SAT, PVR DROP	EA	1
2	1263309	WELDMENT - SAT HOPPER, LIP	EA	1
3	0107616	CYLINDER - AIR HOPPER, 2-1/2" X 8"	EA	2
4	0005218	BOLT - HEX HEAD, 5/16"-18 UNC X 1-1/4"	EA	4
5	0100560	WASHER - FLAT, 1/2"	EA	8
6	0005327	NUT - HEX HEAD, 5/16"-18 UNC	EA	4
7	1136745	BOLT - HEX HEAD, 1/2"-13 UNC X 1-1/2" LONG, GR-8	EA	2
8	0120279	WASH - FLT, 1/2" X 1-1/16" X 1/16", ZY HDN	EA	4
9	0005330	NUT - HEX HEAD, 1/2"-13 UNC	EA	2
10A	1268577	RETAINER - SEAL, SAT, ROD, LH	EA	1
10b	1268578	RETAINER - SEAL, SAT, ROD, RH	EA	1
11	1181298	SEAL - RUBBER EDGE, SAT HOPPER LIP	EA	1
12	1134370	BOLT - HEX HEAD, 1/4"-20 UNC X 1-1/2" LONG	EA	8
13	0120275	WASHER - FLAT, 1/4"	EA	16
14	0100486	NUT - HEX HEAD, STEEL, 1/4"-20 UNC	EA	8
15	1227765	HOSE - SAT HOPPER WIRING, 20"	EA	1
16	1227926	CLAMP - HOSE 7/8", HOLE 3/8"	EA	2
17	0005353	WASHER - FLAT, 3/8"	EA	2
18	0120200	NUT - FLG LKDT, 3/8"-16, G8 ZP	EA	2
	0003002	AIRLINE - YELLOW, 1/4"	FT	1
	1243620	LOOM - SPLIT WIRE, 1/4"	FT	1
	1140642	AIRLINE - GREEN, 1/4"	FT	1
	1101432	FITTING - 1/4" MALE TEE	EA	2
	1240978	BLOCK - STOP, 3/4" X 1" X 1 1/2"	EA	2
	1178678	LINER,HOPPER LIP SAT	EA	1
	1178677	LINER,HPR SAT PVR DROP	EA	1



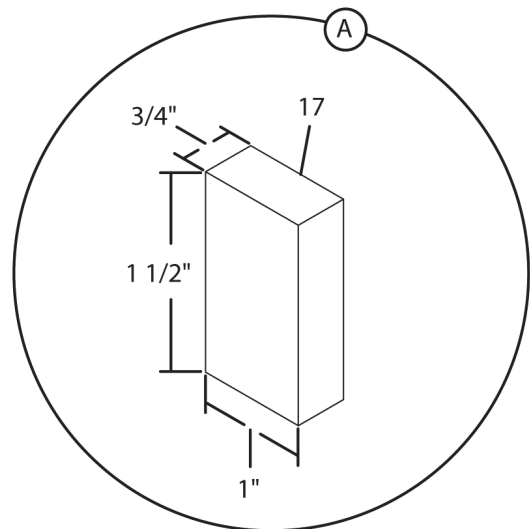
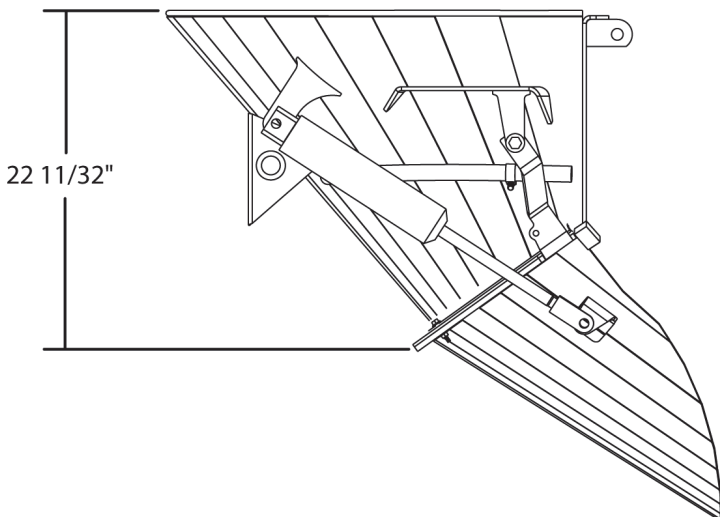
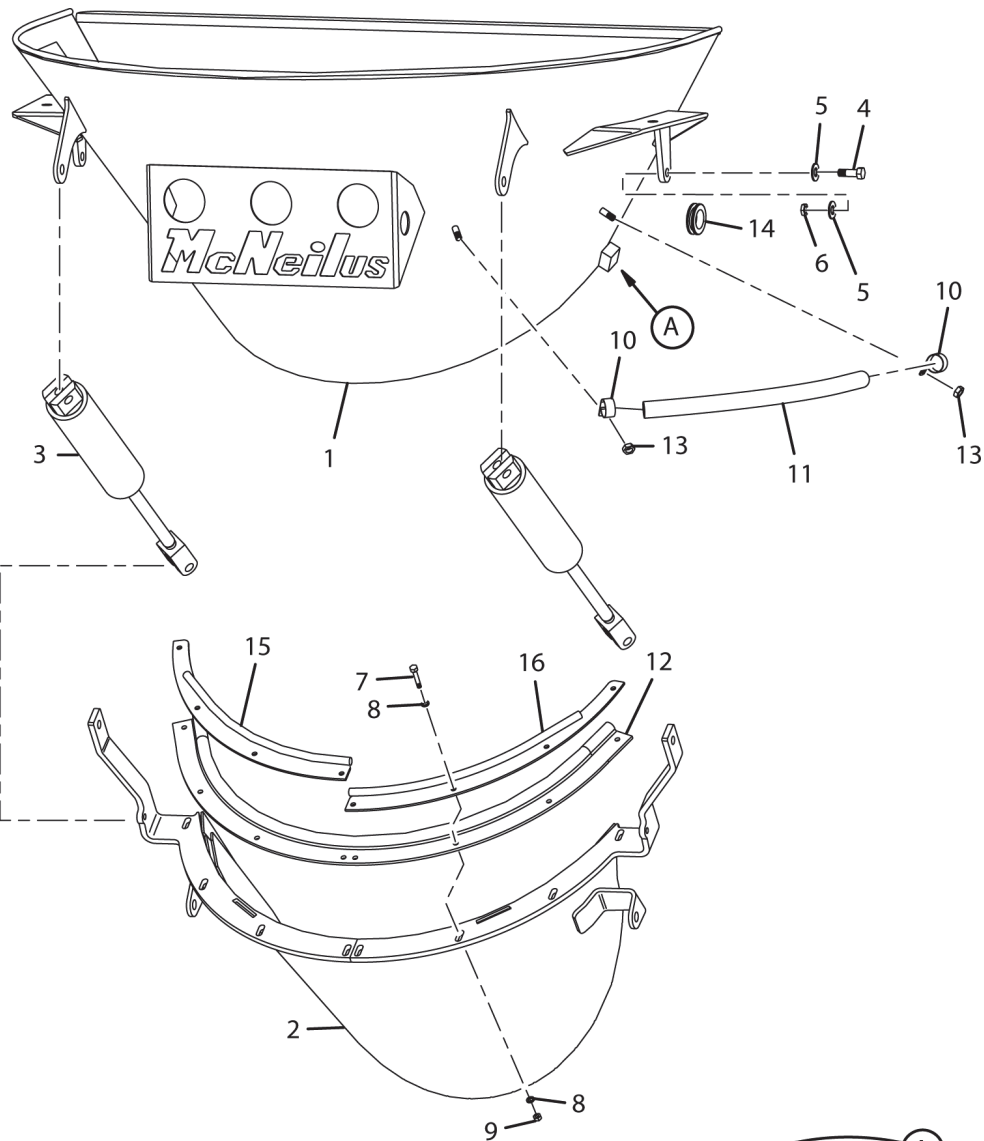
1



ITEM	PART #	PART DESCRIPTION	UOM	QTY
	1263355	ASSEMBLY - SAT HOPPER, NO LINER	EA	1
	1240036	ASSEMBLY - SAT HOPPER, NO LINER, NO LIGHT	EA	1
1	1263307	WELDMENT - SAT HOPPER, STANDARD	EA	1
2	1263309	WELDMENT - SAT HOPPER, LIP	EA	1
3	0107616	CYLINDER - AIR HOPPER, 2-1/2" X 8"	EA	2
4	0005218	BOLT - HEX HEAD, 5/16"-18 UNC X 1-1/4"	EA	4
5	0100560	WASHER - FLAT, 1/2"	EA	4
6	0005327	NUT - HEX HEAD, 5/16"-18 UNC	EA	8
7	1136745	BOLT - HEX HEAD, 1/2"-13 UNC X 1-1/2" LONG, GR-8	EA	2
8	0120279	WASH - FLT, 1/2" X 1-1/16" X 1/16", ZY HDN	EA	4
9	005330	NUT - HEX HEAD, 1/2"-13 UNC		2
10A	1268577	RETAINER - SEAL, SAT, ROD, LH	EA	1
10b	1268578	RETAINER - SEAL, SAT, ROD, RH	EA	1
11	1181298	SEAL - RUBBER EDGE, SAT HOPPER LIP	EA	1
12	1134370	BOLT - HEX HEAD, 1/4"-20 UNC X 1-1/2" LONG	EA	8
13	0120275	WASHER - FLAT, STEEL, 1/4"	EA	16
14	0100486	NUT - HEX HEAD, STEEL, 1/4"-20 UNC	EA	8
15	1227764	HOSE - SAT HOPPER WIRING, 18"	EA	1
16	1227926	CLAMP - HOSE 7/8", HOLE 3/8"	EA	2
17	005353	WASHER - FLAT, 3/8"		2
18	0120200	NUT - FLG LKDT, 3/8"-16, G8 ZP	EA	2
19	1240978	BLOCK - STOP, 3/4" X 1" X 1 1/2"	EA	2
	0003002	AIRLINE - YELLOW, 1/4"	FT	16
	1243620	LOOM - SPLIT WIRE, 1/4"	FT	2
	1140642	AIRLINE - GREEN, 1/4"	FT	16
	1101432	FITTING - 1/4" MALE TEE	EA	2
	1178678	LINER,HOPPER LIP SAT	EA	1
	1178677	LINER,HPR SAT PVR DROP	EA	1



1



ITEM	PART #	PART DESCRIPTION	UOM	QTY
	1270115	WELDMENT - CHARGE, SAT, STD, LINED, HOPPER	EA	1
1	1270119	HOPPER - UPPER, SAT, STD, LINED	EA	1
1	1178677	LINER,HPR SAT PVR DROP	EA	1
2	1270121	LIP - HOPPER, SAT, LINED	EA	1
2	1178678	LINER,HOPPER LIP SAT	EA	1
3	0107616	CYLINDER - AIR, 2-1/2" X 8	EA	2
4	1136745	SCR,CAP,HEX .50-13X1.50 G8 ZY	EA	2
5	0120279	WASH,FLT .50X1.06X.12 ZY HDN	EA	4
6	0005330	NUT,HEX .50-13 G8 ZY	EA	2
7	1134370	SCR,CAP,HEX .25-20X1.50 G8 ZY	EA	8
8	0120275	WASH,FLT .25X.75X.06 ZY HDN	EA	16
9	0100486	NUT,HEX .25-20 G5 ZC	EA	8
10	1243653	CLAMP - LOOM, 3/8" HOLE #18	EA	2
11	1253029	HOSE - SAT HOPPER WIRING, 3/4" X 18	EA	1
12	1181298	SEAL - RUBBER EDGE, SAT HOPPER LIP	EA	1
13	0120200	NUT,FLG,LKDT .38-16 GG CW	EA	2
14	1243627	GROMMET - 1 1/4" X 1/4" X 1 1/2" X 2"	EA	2
15	1268577	RETAINER - SEAL, SAT, ROD, LH	EA	1
16	1268578	RETAINER - SEAL, SAT, ROD, RH	EA	1
17	1240978	BLOCK - STOP, 3/4" X 1" X 1 1/2"	EA	2



ITEM	PART #	PART DESCRIPTION	UOM	QTY
1	1474124	GEARBOX,DRUM,ZF CML10 ECO II	EA	1
2	1479468	HYD MOTOR,DRUM,ZF CML10 ECO II	EA	1
3	1479467	O-RING,DRUM,ZF CML10 ECO II	EA	1
4	1488233	COVER,OUTPUT,CML10,ZF	EA	1
5	1488232	O-RING,OUTPUT CVR,CML10,ZF	EA	1
6	1488235	SCREW,TORX,CML10,ZF	EA	6
7	1488234	O-RING,TORX SCREW,CML10,ZF	EA	6
8	1323779	OIL SIGHT GLASS	EA	1
9	1488238	SCREW,CAP M10X150 CML10,ZF	EA	1
10	1488236	SCREW,CAP M16X80 CML10,ZF	EA	8
11	1488237	O-RING,MOTOR SCREW,CML10,ZF	EA	8
12	0215424	O-RING,ZF	EA	1

