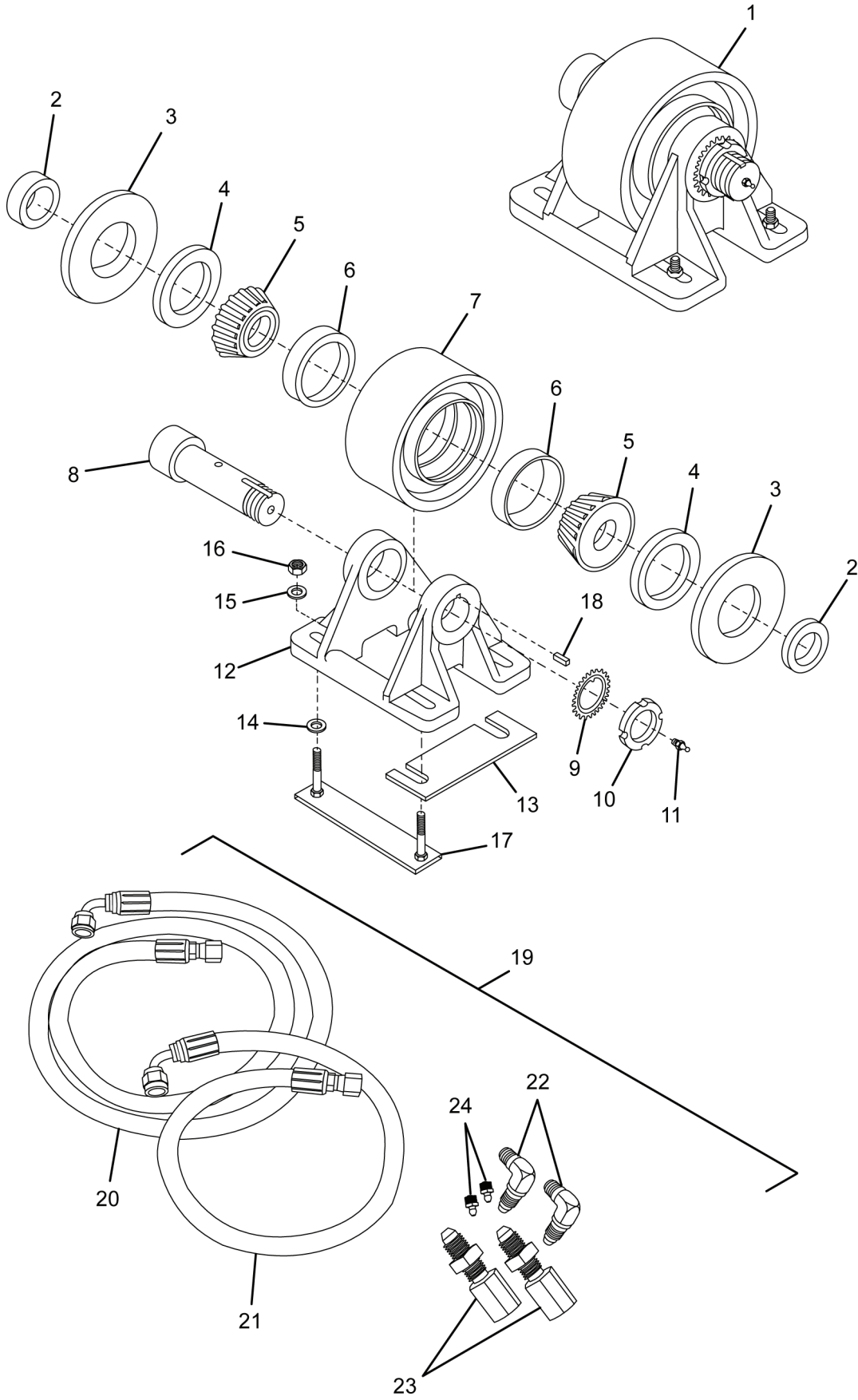


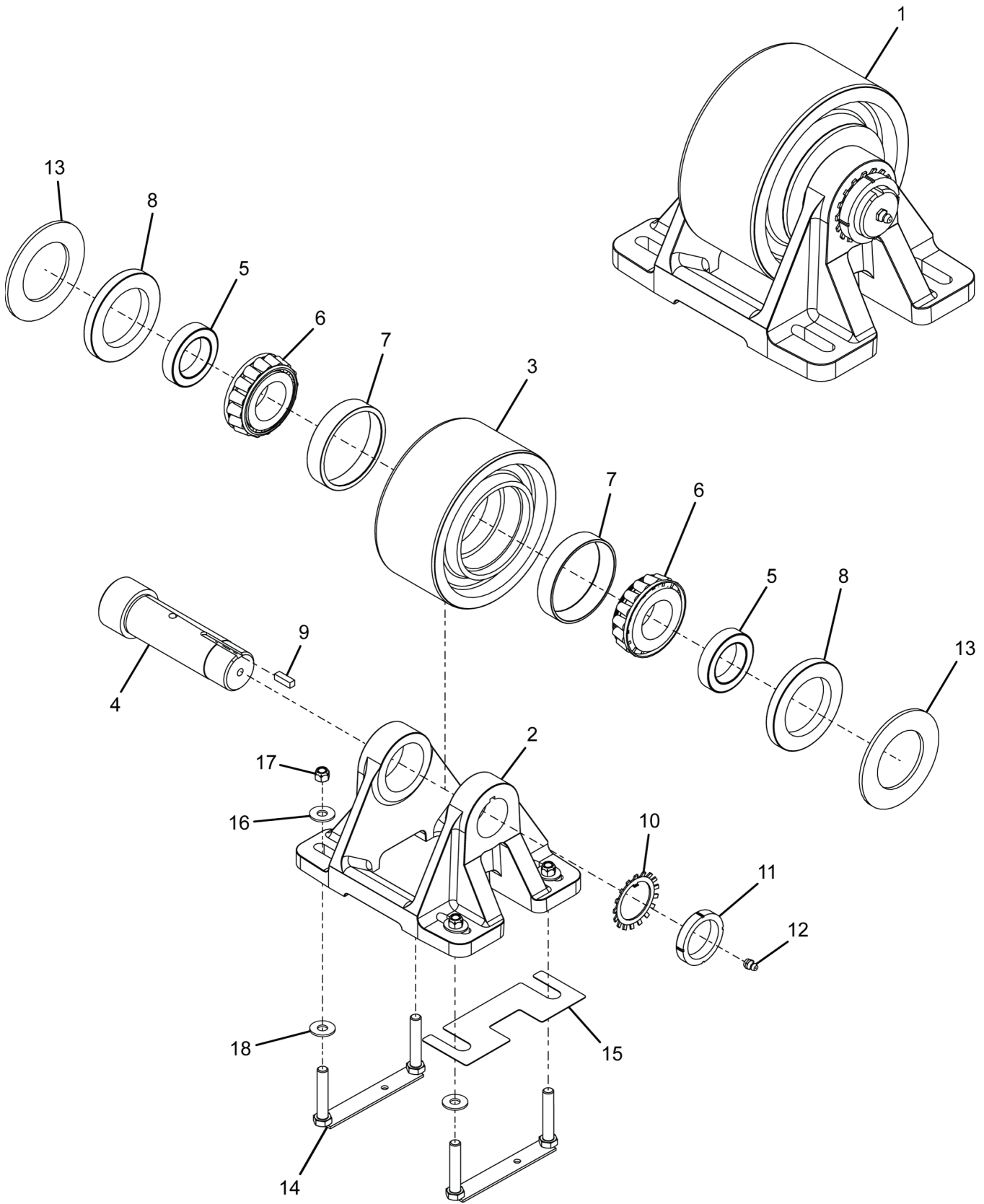
1



ITEM	PART #	PART DESCRIPTION	UOM	QTY
1	0150440	ROLLER-3 7/8,COMPLETE W/BRACKET	EA	1
2	1477199	SPACER,ROLLER,4.40	EA	2
3	0215258	SEAL,FELT,3.88 ROLLER	EA	2
4	0215250	SEAL,ROLLER,3.88	EA	2
5	0082213	BRG,CONE,ROLLER,2"ID	EA	2
6	0082214	BRG,CUP,ROLLER,4.25OD	EA	2
7	0150442	ROLLER,3.88 BARE	EA	1
7	0157440	ASSEMBLY - ROLLER, W/ BEARINGS & SEALS, 3-7/8"	EA	1
8	0150443	SHAFT,ROLLER,3.88	EA	1
9	0082206	WASH,LK,ROLLER SHAFT,#W10	EA	1
10	0082216	NUT,LK,ROLLER SHAFT,#N10	EA	1
11	0115166	FTG,ST,STD GREASE, .12 NPT	EA	2
12	0150441	BRACKET,ROLLER ONE PIECE	EA	1
13	0082218	SHIM,DRUM ROLLER .036,20 GA	EA	
14	0005365	WASH,FLT .50X1.34X.11 ZY	EA	4
15	0082219	WASHER - HEAVY FLAT, 1/2"	EA	4
16	0005340	NUT,HEX,LKDT .50-13 GC ZC	EA	4
17	0150425	BRACKET - INCLUDES BOLTS	EA	2
18	0150444	KEY,ROLLER,3.88	EA	1
19	1112508	KIT - GREASE	EA	1
20	1487373	HOSE ASSY 02 CR 45 GREASE	EA	1
21	1487375	HOSE ASSY 02 CR 86 GREASE	EA	1
22	1260396	FTG,90 4JIC-2NPT MM ST	EA	2
22	1131558	ADPT-AQP 2023-2-4SAD	EA	2
23	1131660	ADPT,2239-2-4SAC,AEROQUIP	EA	2
24	0115166	FTG,ST,STD GREASE, .12 NPT	EA	2
		*ITEM 3 OIL SEAL MUST BE INSTALLED		
		WITH SEAL LIP FACING OUT. THIS ALLOWS		
		GREASE TO PURGE AND PREVENTS		
		WATER INTRUSION.		
		**PN 1131558 USED WHEN SHIMS ARE		
		PLACED UNDER FRONT SIDE OF ROLLERS.		
		***PART # 1131558 NOT SHOWN.		
		****ITEM 1 INCLUDES ITEMS 2-18.		



1



ITEM	PART #	PART DESCRIPTION	UOM	QTY
1	1515758	ROLLER,3 7/8,COMPLETE,DOM	EA	1
2	0150441	BRACKET,ROLLER ONE PIECE	EA	1
3	0150442	ROLLER,3.88 BARE	EA	1
4	0150443	SHAFT,ROLLER,3.88	EA	1
5	1477199	SPACER,ROLLER,4.40	EA	2
6	1515759	BRG,CUP,ROLLER,4.25 OD,DOM	EA	2
7	1515760	BRG,CONE,ROLLER,2" ID,DOM	EA	2
8	0215258	SEAL,FELT,3.88 ROLLER	EA	2
9	0150444	KEY,ROLLER,3.88	EA	1
9	1137309	KEY,ROLLER 1/2 X 1/2 X 6	EA	1
10	0082206	ROLLER,LOCKWASHER	EA	1
11	0082216	NUT,LK,ROLLER SHAFT,#N10	EA	1
12	0115166	FTG,ST,STD GREASE, .12 NPT	EA	1
13	0215258	SEAL,FELT,3.88 ROLLER	EA	2
14	0150427	STRAP,BOLT,RLR, 6.00 LNG, WLDT	EA	2
15	0082218	SHIM,DRUM ROLLER .036,20 GA	EA	1
16	0082219	WASH,FLT,HVY .523X1.125X.182	EA	8
17	0005340	NUT,HEX,LKDT .50-13 GC ZC	EA	4
18	0005365	WASH,FLT .50X1.34X.11 ZY HDN	EA	4
		*ITEM 1 INCLUDES ITEMS 2-13.		
		**QUANTITIES LISTED ARE FOR EACH		
		ROLLER.		

