

Table of Contents

THANK YOU.....	1
PARTS AND SERVICE.....	3
CORPORATE HEADQUARTERS INFORMATION.....	3
STANDARDS INFORMATION.....	3
MCNEILUS WARRANTY INFORMATION.....	3
PURPOSE OF THIS MANUAL.....	3
HOW TO USE THIS MANUAL.....	4
PARTS LIST TABLE OF CONTENTS EXPLANATION.....	4
PARTS PAGE EXPLANATION.....	5
Column Explanation.....	5
Alphabetical Index Explanation.....	5
Numerical Index Explanation.....	5
ABBREVIATIONS.....	5
WHAT TO KNOW WHEN ORDERING PARTS.....	12
Model Designation.....	12
Ordering Parts for Your McNeilus Product.....	12
Serial Number Explanation.....	12
Mixer Identification Placard and TMMB Certification Placard Explanation.....	13
Complete Vehicle Document Decal.....	13
Component Tag Explanation.....	14

Parts and Service

Contact your McNeilus Parts and Service branch location to order parts, to receive service information, or for other assistance.

Contact by phone or visit www.streetsmartparts.com.

We have factory owned parts and service centers near you.

Phone Number **888-686-7278**

State	City
CA	Colton
CT	East Granby
FL	Tampa
GA	Villa Rica
IL	Sugar Grove
MN	Dodge Center
NY	Bronx
OH	Cincinnati
OH	Columbus
PA	Morgantown
TX	Houston
TX	Hutchins
UT	West Valley City
WI	Oshkosh

Canada	
Ontario and Western Provinces	800-265-1089
Quebec and Maritime Provinces	800-996-4937

Corporate Headquarters Information

Contact McNeilus Truck and Manufacturing, Inc. directly at our corporate headquarters at the following address, phone number, and website address:

McNeilus Truck and Manufacturing, Inc.
524 County Road 34 East
Dodge Center, MN 55927

Telephone: 507-374-6321

Corporate Website:
www.mcneiluscompanies.com

Parts and Service Website:
www.streetsmartparts.com

Standards Information

For a copy of the NRMCA Truck Mixer Driver's Manual contact:

National Ready Mixed Concrete Association
900 Spring Street
Silver Spring, Maryland 20910
Telephone: 301-587-1400 • Fax: 301-585-4219

For assistance in ordering OSHA Publications contact:

U.S. Department of Labor/OSHA
OSHA Publications
P.O. Box 37535
Washington, D.C. 20210
Telephone: 202-693-1888 • Fax: 202-693-2498

McNeilus Warranty Information

We want you to be satisfied with our product and our warranty. The McNeilus warranty manual outlines the warranty procedures. Please refer to it for answers to any questions you have regarding the policy or its procedures.

If you require a warranty manual, want to submit a warranty claim, have a dispute or any other comments regarding warranty, we request that you contact McNeilus Warranty at 507-374-8837 or visit www.streetsmartparts.com.

Purpose of This Manual

The purpose of this manual is to provide you with the most complete parts information for your McNeilus product.

This parts manual is NOT designed to take the place of a service manual. To properly service your McNeilus product, ONLY use an approved McNeilus service manual. Call 888-686-7278 or visit www.streetsmartparts.com to obtain a service manual.

How to Use This Manual

Within this manual you will find that the parts information is divided into major sections. These sections contain the part assemblies that are associated with that group's base function. For example, if a cylinder were needed, the base function of the cylinder would be hydraulic. Therefore, you would look under "Hydraulics Section" and find "Cylinder Assemblies." The following explains the typical sections in this manual:

- Mixer Body Group – Body Assemblies, i.e., Water System Components, Front Pedestal Components, Drum Components
- Axle Group – Axle Assemblies, i.e., Bridgemaster Axle Components, Pusher Axle Components
- Hydraulics Group – Hydraulic Components, i.e., Reservoirs, Pumps, Cylinders, Valves, Hydraulic Tubes
- Pneumatic Group – Pneumatic Components, i.e., Pusher Air Valve, Coalescing Filter, Air Lines and Fittings
- Controls Group – Group Components, i.e., Cab Control Box, Cab Pendant Assembly, Rear Control Assembly
- Electrical Component Group – Electrical Components, i.e., Alarms, Drum Counters, Proximity Switches
- Truck Options Group – Truck Component Options, i.e., Bucket Holder Assembly, Camera System Assembly, Slump Meter
- Decals and Placards Group – Decals and Placards
- Test Equipment and Tools Group – Test Equipment and Tools, i.e., Proximity Switch Wrench, Hydraulic Test Kit, Hydraulic Jumper Kit

Parts List Table of Contents Explanation

The Parts List Table of Contents is organized by Group, Assembly Name, Assembly Components, and the Page Number of the description of the items (Figure 1).



Table of Contents

Rear Discharge Mixer	
MIXER BODY GROUP	
BUMPERS AND BUMPER LIGHT BRACKETS	
BMX CHASSIS MOUNTED REAR BUMPER.....	1
BUMPER MOUNTED TAIL LIGHT BRACKETS.....	3
BUMPER,BOLD ON R BUMPER CHILE.....	5
ICC BUMPER LIGHT BRACKET.....	7
CHUTE ASSEMBLIES	
CHUTE SCRAPPER HANGER.....	9
CHUTE SHUTTER AND ROCK STOPPER.....	11
CHUTE STOP.....	13
CHUTE,6"MAIN HYDRO,ASSY.....	15
CHUTE,6"MAIN HYDRO LINED,ASSY.....	17
CHUTE,HYDRO MAIN,ASSY.....	19
CHUTE,HYDRO MAIN.....	21
CHUTE,HYDRO MAIN,LINED, ASSY.....	23
DRUM ASSEMBLIES	
FIN KIT,1/4" 10.5YD AND LGR.....	25
FIN KIT,1/4"10.5YD,COMPLETE.....	27
FIN KIT,10YD AND LESS.....	29
FIN KIT,3/16" 10.5YD AND LGR.....	31
FIN KIT,3/16" 10YD AND LESS.....	33

Figure 1

Parts Page Explanation

Parts Pages are arranged so that the illustration and the Bill of Material (BOM) are on facing pages whenever possible. Each page is identified by an Assembly Number. The Assembly Number is in the bottom middle of each page.

Column Explanation

Item Column – Item callout related to the illustration

Part Number Column - Part number of the item

Part Description Column - Description of the part

UOM - Unit of measure

QTY Column - Quantity of the part in the assembly

Alphabetical Index Explanation

The Alphabetical Index lists parts in alphabetical order by name (Description Column), then part number (Part Column), and page number (Page Column) (see Figure 2).

ALPHABETICAL INDEX

Description	Part	Page
125 PSI HOLDBACK VALVE W/ TEE FITTING	1C73	427
A FRAME ASSEMBLY	1C23	113
BRACKET - ABS LIGHT	1109358	237, 329
HARNESS - THROTTLE ADVANCE, 174"	1232988 1479623	277, 563 471

Figure 2

Numerical Index Explanation

The Numerical Index lists parts in numerical order by part number (Part Column), then page number (Page Column) (see Figure 3).

NUMERICAL INDEX

Part	Page	Part	Page
1C73	427	1143992	237, 329
1C23	113	1145490	558
1109358	237, 329, 35, 175, 491,206	1431792 1433200	110, 111, 125 250, 350
1232988	563	1453457	26, 88, 171, 499, 773
1140988	471		

Figure 3

Abbreviations

The following is a list of abbreviations used in this manual and common abbreviations which may not be used in this manual.

Abbreviation	Definition
ACCEL	ACCELERATION
ACT	ACTUATOR
ADJ	ADJUSTABLE, ADJUSTMENT
ADPT	ADAPTER
ADV	ADVANCE
AL	ALUMINUM
AMB	AMBER
ANSI	AMERICANNATIONALSTANDARDS INSTITUTE
API	AMERICAN PETROLEUM INSTITUTE
AWG	AMERICAN WIRE GAUGE
AMP	AMPERES
ANG	ANGLE
ANT	ANTENNA
AP	APPLICATION
ARR	ARRANGEMENT
AS REQ	AS REQUIRED
ASSY	ASSEMBLY
ATL	ATLANTIC
AL	AUTO LEVEL
AR	AUTOREACH, AS REQUIRED
AUTO	AUTOMATED
AFE	AUTOMATED FULL EJECT
ATF	AUTOMATICTRANSMISSIONFLUID
AUX	AUXILIARY
AX	AXLE
BFL	BAFFLE
BRL	BARREL
BCHR	BATCHER
BAM	BATCHMASTER
BTY	BATTERY
BRG	BEARING
BOM	BILL OF MATERIAL
BLK	BLACK, BLOCK
BLD	BLADE
BLWR	BLOWER

General Information



Abbreviation	Definition
BLU	BLUE
BDY	BODY
BLIFT	BODY LIFT
BT	BOOT
BTM	BOTTOM
BRC	BRACE
BRKT	BRACKET
BRTHR	BREATHER
BM	BRIDGEMASTER
BRN	BROWN
BBL	BUBBLE
BKT	BUCKET
BL	BUCKET LOADER
BLN	BUCKET LOADER NON-COMPACTING
BLP	BUCKET LOADER PACKING
BLR	BUCKET LOADER R
BH	BULKHEAD
BPR	BUMPER
BSH	BUSHING
BTN	BUTTON
BHCS	BUTTON HEAD CAP SCREW
ΔP	CHANGE IN PRESSURE
C	CENTIGRADE
CAD-CAM	COMPUTER AIDED DESIGN-COMPUTER AIDED MANUFACTURE
CAM	CAMERA
CAN	CANISTER
CART	CARTRIDGE
CB	CEMENT BATCHER, COMBOBLOCK, COUNTERBORE, COUNTERBORED
CC	CUBIC CENTIMETER
CEM	CEMENT
CG	CENTER OF GRAVITY
CHG	CHARGE
CHL	CHANNEL
CHR	CHROME
CHT	CHUTE
CIRC	CIRCUMFERENCE
CL	CENTER LINE
CLN	CLEANOUT
CLR	CLEAR

Abbreviation	Definition
CLS	CLOSEOUT
CM	CENTIMETER, CROSSMEMBER
CNTL	CENTRAL
COAL	COALESCING
COMP	COMPENSATOR, COMPRESSOR
COND	CONDUCTOR
CONN	CONNECTOR
CONT	CONTAINER, CONTINUOUS
CONV	CONVEYOR
COT	COTTER
CPSCR	CAP SCREW
CPY	CANOPY
CR	COLD ROLLED
CRTN	CURTAIN
CS	COUNTERSINK, COUNTERSUNK, CURB SIDE
CST	CENTISTOKES
CTNR	CONTAINER
CTR	CENTER
CTRL	CONTROL
CU	CUBIC
CVN	CONVERSION
CVR	COVER
CYL	CYLINDER
CZ	COMMAND ZONE
DB	DEBOUNCER
DBL	DOUBLE
DBLR	DOUBLER
DECEL	DECELERATION
DECUM	DECUMULATIVE
DEG	DEGREE
DGR	DANGER
DIA	DIAMETER
DIAG	DIAGONAL
DIFF	DIFFUSER
DIM	DIMENSION
DISCH	DISCHARGE
DISP	DISPLAY
DOC	DOCUMENT
DOT	DEPARTMENT OF TRANSPORTATION

Abbreviation	Definition
DP	DUMP
DPDT	DOUBLE POLE DOUBLE THROW
DPST	DOUBLE POLE SINGLE THROW
DR	DOOR
DS	DRIVER SIDE, DRIVESHAFT
DSHAFT	DRIVESHAFT
DVDR	DIVIDER
DWG	DRAWING
PSI Δ	DIFFERENCE BETWEEN TWO PRESSURES
EA	EACH
ECU	ELECTRONIC CONTROL UNIT
EJR	EJECTOR
ELB	ELBOW
ELE	ELECTRIC
ELEC	ELECTRICAL
ELEM	ELEMENT
ENC	ENCLOSURE
ENG	ENGINE, ENGINEER/ING
EP	ELECTRO PROPORTIONAL
ERGO	ERGONOMIC
E-STOP	EMERGENCY STOP
EURO	EUROPEAN
EXP	EXPANDED, EXPANSION
EXT	EXTENSION, EXTERNAL, EXTRUSION, EXTEND, EXTINGUISHER
X	EXTENDED
XL	EXTRA LARGE
F	FRONT
FAB	FABRICAT(ED)
FB	FLASH BATCHER
FD	FRONT DISCHARGE
FE	FULL EJECT
FEND	FENDER
FF	FIELD FIX
FFF	FEMALE FEMALE FEMALE
FGR	FINGER
FH	FULL HEIGHT
FK	FORKS
FL	FRONT LOADER

Abbreviation	Definition
FLG	FLANGE
FLR	FLOOR
FLT	FILTER
FM	FEMALE MALE
FMD	FORMED
FMF	FEMALE MALE FEMALE
FN	FOOTNOTE
FOB	FRONT OF BODY
FREQ	FREQUENCY
FRM	FRAME
FRT	FRONT
FT	FEET, FOOT, FULL THREAD
FTG	FITTING
FWI	FRONT WATER INJECTION
FWR	FOLLOWER
GA	GAUGE
GAL	GALLON
GBR	GRABBER
GD	GUIDE
GPM	GALLONS PER MINUTE
GR5	GRADE 5
GR8	GRADE 8
GRAN	GRANNING
GRD	GUARD
GRN	GREEN
GROM	GROMMET
GRS	GREASE
GRT	GRATE
GRY	GRAY
GSKT	GASKET
GST	GUSSET
GTU	GRAVITY TAKE UP
H	HIGH, HEIGHT
HARD	HARDWARE
HARN	HARNESS
HAZ	HAZARD/OUS
HD	HEAD, HEAVY DUTY
HDR	HOLDER
HEND	HENDRICKSON
HEX	HEXAGON
HF	HEADFRAME

General Information



Abbreviation	Definition
HGR	HANGER
HNG	HINGE
HOC	HYDRAULIC OVERSPEED CONTROL
HORZ	HORIZONTAL
HP	HIGH PERFORMANCE, HORSEPOWER
HPR	HOPPER
HR	HOT ROLLED
HR	HOUR
HRD	HARD/HARDENED
HSG	HOUSING
HTR	HEATER
HVY	HEAVY
HX	HEX (FASTENER)
HYD	HYDRAULIC/S
HZ	HERTZ
XC	HIGH COMPACTION
ICC	INTERNATIONAL CODE COUNCIL
ID	INSIDE DIAMETER
IND	INDICATOR
INR	INNER
INS	INSIDE, INSTALLATION, INSTRUCTION, INSULATION, INSULATED
INT	INTERNAL
INTL	INTERNATIONAL
INV	INVERTED
ISO	INTERNATIONAL STANDARDS ORGANIZATION
JIC	JOINT INDUSTRY CONFERENCE
JS	JOYSTICK
LARP	LOW ANGLE REAR PEDESTAL
LD	LIGHT DUTY
LDR	LADDER
LED	LED, LIGHT EMITTING DIODE
LG	LONG
LGTL	LONGITUDINAL
LH	LEFT HAND
LN	LOCK NUT
LONG	LONGITUDINAL
LO-PRO	LOW PROFILE
LP	LOW PROFILE

Abbreviation	Definition
LT	LIGHT
LVR	LEVER
LW	LIGHTWEIGHT
LWR	LOWER
LYT	LAYOUT
M	MEGA, METER, MEASURE
MA	MANUAL AUTOMATED
MAG	MAGNETIC
MAN	MANUAL
MATL	MATERIAL
MDL	MODULE
METRO	METROPOLITAN
MF	MALE FEMALE
MFD	MANIFOLD
MFM	MALE FEMALE MALE
MID	MIDDLE
MIL	MILLI INCH
MIN	MINIMUM, MINUTE
MM	MILLIMETER, MALE MALE
MMF	MALE MALE FEMALE
MMM	MALE MALE MALE
MOD	MODEL, MODEM
MOM	MOMENTARY
MONT	MONITOR
MPH	MILES PER HOUR
MS	MIDSHIP
MSL	MANUAL SIDE LOADER
MT	MOUNT
MTG	MOUNTING
MTL	METAL
MTR	MOTOR
MV OILS	MULTIPLE VISCOSITY OILS
MX	MIXER
MXR	MIXER
U	MICRO
N	NANO
NARO	NARROW
NC	NORMALLY CLOSED
NCH	NOTCH
NFPA	NATIONAL FLUID POWER ASSOCIATION

Abbreviation	Definition
NO	NORMALLY OPEN
NO VALVE	NORMALLY OPEN VALVE
NPL	NIPPLE
NPN	NO PART NUMBER
NPT	NATIONAL PIPE THREAD
NSS	NOT SERVICED SEPARATELY
OD	OUTSIDE DIAMETER
OEM	ORIGINAL EQUIPMENT MANUFACTURER
OPT	OPTION, OPTIONAL
ORB	O-RING BOSS
ORG	ORANGE, O-RING GASKET
ORIG	ORIGINAL
ORS	O-RING SEAL
OS	OUTSIDE
OSHA	OCCUPATIONAL SAFETY AND HEALTH ADMINISTRATION
OTR	OUTER
OTS	OUTSIDE
OZ	OUNCE
FLWC	PACIFIC
LB	POUND
LB. FT.	POUNDS PER FOOT
P	PICO
P&S	PACK & SWEEP, PARTS & SERVICE
PAC	PACIFIC
PB	PUSH BUTTON
PC	PIECE
PED	PEDESTAL
PEND	PENDANT
PH	PAN HEAD
PKG	PACKAGE
PKR	PACKER
PKT	PACKET
PLN	PLAIN
PLT	PLATE
PLTF	PLATFORM
PLW BLK	PILLOW BLOCK
PLY	PULLEY
PNEUM	PNEUMATIC/S
PNL	PANEL

Abbreviation	Definition
POT	POTENTIOMETER
PRESS	PRESSURE
PRG	PROGRAM
PROG	PROGRAM
PROX	PROXIMITY
PS	PASSENGER SIDE
PSHAFT	POWER TAKE OFF
PSI	POUNDS PER SQUARE INCH
PT	PLANT
PTO	POWER TAKE-OFF
PVR	PAVER
PVT	PIVOT
PWB	PRINTED WIRING BOARD
PWR	POWER
QD	QUICK DISCONNECT
R	REAR
RAD	RADIUS
RBR	RUBBER
RCPTL	RECEPTACLE
RCY	RECYCLE, RECYCLER
RECT	RECTANGULAR
RED	RED
REF	REFERENCE
RES	RESISTOR, RESERVOIR, RESIDENTIAL
RESIST	RESISTANCE
RET	RETURN, RETRACT
REV	REVOLUTION
RF	ROOF
RFMT	REINFORCEMENT
RFMT ROD	REINFORCING BAR (RE ROD)
RFTV	REFLECTIVE
RGA	RETURNED GOODS AUTHORIZATION
RGR	REGULATOR
RH	RIGHT HAND
RKR	ROCKER
RL	REAR LOADER
RLF	RELIEF
RMT	REMOTE
RND	ROUND

General Information



Abbreviation	Definition
RO	ROLL OFF
RPLMT	REPLACEMENT
RPM	REVOLUTIONS PER MINUTE
RR	RECESSED REEVING, REAR
RSD CTNR	RESIDENTIAL CONTAINER
RTG	ROUTING
RTN	RETURN
RTNG	RETAINING
RTNR	RETAINER
RVT	RIVET
S	SIDE
SAE	SOCIETY OF AUTOMOTIVE ENGINEERS
SB	SHORT BUBBLE
SBPLY	SNUB PULLEY
SCH	SCHEDULE, SCHEMATIC
SCR	SCREW
SCRN	SCREEN
SD	SIDE DOOR
SDL	SADDLE
SEC	SECTION, SECOND
SECT	SECTION
SENS	SENSOR
SERV	SERVICE
SF	STREET FORCE
SGLE	SINGLE
SH	SHORT
SHCS	SOCKET HEAD CAP SCREW
SHD	SHOULDER
SHLDR	SHOULDER
SHP	SHIPPING
SHRD	SHROUD
SHRT	SHORT
SHT	SHEET
SHTR	SHUTTER
SKRT	SKIRTING
SLD	SLIDE
SLIFT	SERVICE LIFT
SM	SCALE MOUNT
SMS	SLIDING MIXER SYSTEM
SOC	SOCKET

Abbreviation	Definition
SOL	SOLENOID
SPAC	SPACER
SPDT	SINGLE PUL DOUBLE THROW
SPEC	SPECIFICATION
SPL	SPHERICAL
SPR	SPACER
SPRD	SPREAD
SPRG	SPRING
SPRT	SUPPORT
SPST	SINGLE PULL SINGLE THROW
SPT	SUPPORT
SQ	SQUARE
SS	STREET SIDE/STAINLESS STEEL
ST	STRAIGHT
STC	SNAP TO CONNECT
STD	STANDARD
STFR	STIFFENER
STL	STEEL
STR	STRAIGHT
STRNR	STRAINER
SUS	SAYBOLT UNIVERSAL SECONDS (SSU)
SUSP	SUSPENSION
SW	SWITCH
SWL	SWIVEL
SWP	SWEEP
SYS	SYSTEM
T	TOP
TAB	TABULATION
TAP	TAPPING
TD	TOP DOOR
TEL	TELESCOPIC
TELE	TELESCOPIC
TEMP	TEMPERATURE
TERM	TERMINAL
TG	TAILGATE
TGR	TRIGGER
THK	THICKNESS
THRD	THREAD/ED
THRU	THROUGH
TK	TANK

Abbreviation	Definition
TMP	TEMPLATE
TOB	TOP OF BODY
TOG	TOGGLE
TORQ	TORQUE
TPR	TIPPER
TPRD	TAPERED
TRAP	TRAPEZOID
TRK	TRACK
TRANS	TRANSMISSION
TWR	TOWER
U-JOINT	UNIVERSAL JOINT
UNC	UNIFIED COARSE
UNE	UNIVERSAL NESTING END
UNF	UNIFIED FINE
UNIV	UNIVERSAL
UNV	UNIVERSAL
UPD	UPDATE
UPR	UPPER
VAL	VALVE
VERT	VERTICAL
VI	VISCOSITY INDEX
VIB	VIBRATOR
VIO	VIOLET
W	WIDE, WIDTH
WB	WHEEL BASE
WG	WIND GUARD
WHT	WHITE
WLDT	WELDMENT
WPR	WIPER
WPRV	WORK PORT RELIEF VALVE
WR	WIRE ROPE
WRN	WARNING
WSR	WASHER
WTR	WATER
WTR RK	WATER TANK
YD	YARD
YEL	YELLOW
Z	ZINC

What to Know When Ordering Parts

When ordering a part, you need the part number and the serial number (refer to Mixer Identification Placard and TMMB Certification Placard Explanation). This not only ensures that you have the correct model number but that you are using the correct parts manual.

Ordering Parts for Your McNeilus Product

When ordering parts for your McNeilus Mixer, we will need your Mixer's Model and Serial Number. If the component is a cylinder, hydraulic pump, spool valve, etc., there may be model and serial numbers on the component that will help identify the correct part (refer to Component Tag Explanation).

If you have a UNIT DOWN situation and require special shipping of the parts, just let us know. We will expedite the parts to you. We offer UPS, FEDERAL EXPRESS, and nearly any air or land freight company you require to get the parts to you FAST.

Call 888-686-7278 or visit www.streetsmartparts.com to order parts.

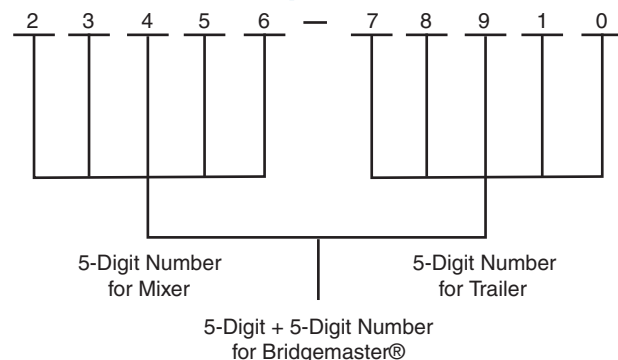
Vehicle Serial Number	
Drum Serial Number	
Type of Part	
Proximity Switches	Is the proximity switch barrel length 1-1/2" or 2"? Three wire or four wire?
Cylinders	What is the cylinder identification number?
Hydraulic Hoses	What is the tag ID number on the hose?
	If no tag, what is the inside diameter of the hose?
	What is the total length of the hose, including fittings?
	What type of fittings are on the hose: straight, 90 degree or 45 degree?
	Use a digital photo or hand draw the hose on a piece of paper to confirm measurements.
Hydraulic Pipes/Tubes	What is the tag ID number on the tube?
	If no tag, what is the outside diameter of the tube?
	How long is the tube?
	What function does the tube operate?
	Hand draw the tube on piece of paper to confirm measurements.
Body Parts	Get all measurements: length, width, diameters.

Model Designation

Current Models	
No.	Model Description
90	Standard Mixer
92	Sliding Mixer System
93	Bridgemaster Mixer

Retired Models	
No.	Model Description
91	Bridgemaster 2000

Serial Number Explanation



Mixer Identification Placard and TMMB Certification Placard Explanation

A McNeilus Truck and Manufacturing, Inc. identification placard (Figure 4, Item 1) is located on the left side of the front pedestal. The identification placard contains the Serial Number (Figure 4, Item 2) and the rated mix capacity (Figure 4, Item 3) of your mixer system.

The identification placard also contains the drum volume and water tank capacity information.

Also located on the left side of the front pedestal is the Truck Mixer Manufacturers Bureau (TMMB) certification placard (Figure 4, Item 4). This placard indicates the certified maximum capacity of the Mixer.

The drum serial number (Figure 4, Item 5) is stamped into the pedestal.

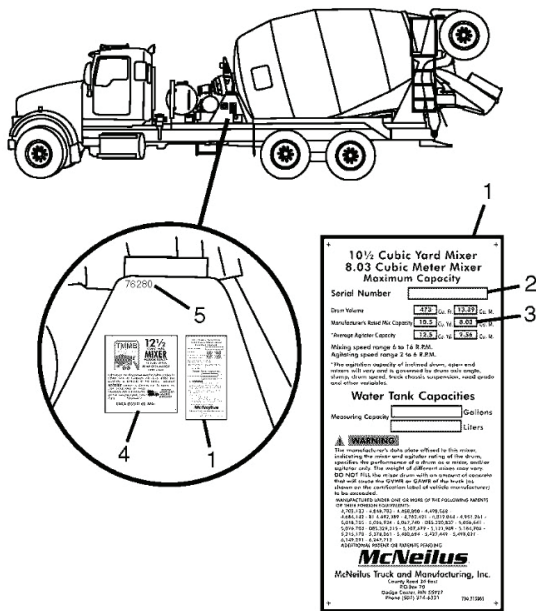


Figure 4

Complete Vehicle Document Decal

The Complete Vehicle Document decal (Figure 5, Item 1) documents the axle load and tire ratings as the vehicle left the McNeilus production line. This decal is located inside the cab, and may be placed on the driver's door jam or the seat riser (location may vary). Bridgemaster mixer shown for illustrative purposes only.

This decal includes information such as the Maximum rated weight per axle (Item 2), Gross Vehicle Weight (Item 3), Chassis manufacturer (Item 4), Chassis build date (Item 5), Vehicle (chassis) ID number (Item 6), Tire and rim size and tire pressure specifications (Item 7), and the Refuse vehicle system build date (Item 8).

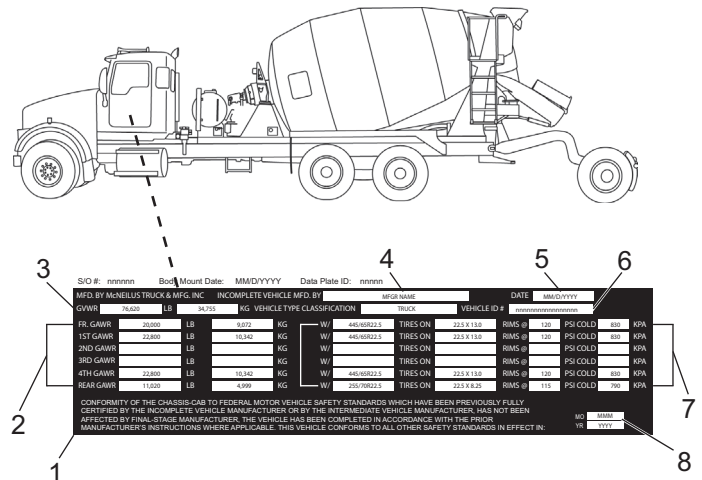


Figure 5

Component Tag Explanation

Some parts (cylinders, hydraulic pumps, hoses, etc.) have identification tags on them, which provide information to use when ordering those parts. For cylinder identification, refer to (Figure 6, Item 1).

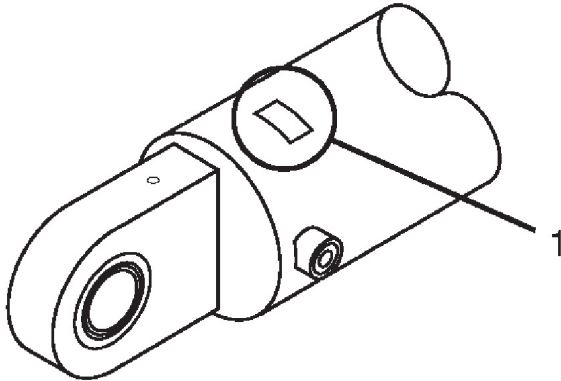


Figure 6

For hydraulic pipe/tube information, refer to (Figure 7, Item 1). Hydraulic hoses are embossed with a layline indicating pressure and SAE rating (Figure 7, Item 2). Correct hoses, fittings, and adapters with the correct SAE rating must be used when replacing hoses.

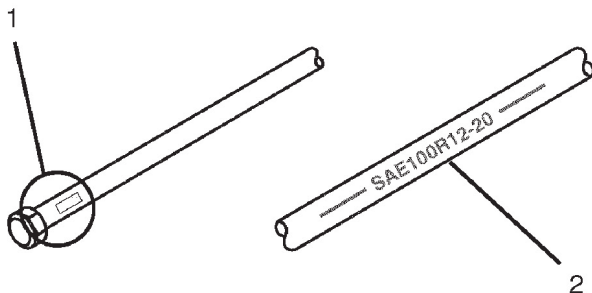


Figure 7

WARNING

Any hydraulic tubing which is replaced must conform to SAE J1065 specifications. If incorrect hydraulic tubing is installed, the hydraulic system may fail, causing serious injury. Damaged or leaking tubing must be replaced before the Mixer is returned to service. For best results, always use genuine McNeilus replacement parts.

WARNING

Correct hoses, fittings, and adapters with the correct SAE rating must be used when replacing hoses to prevent possible serious injury. Always replace hoses, fittings, and adapters with replacements that have a proper, suitable working pressure rating. Replacement hoses must be of correct length and must comply with the hose manufacturer's installation guidelines and recommendations. Hydraulic hoses have the SAE ratings marked on the hose to assist you in selecting the correct hose. Any replacement hydraulic hoses and fittings assemblies must be supplied by the same manufacturer. As an example: Brand "A" hose and brand "B" fitting will not normally be compatible. No "twist" is allowed in the hydraulic hoses. "Twist" may result in premature hose failure.

WARNING

Hydraulic hoses and tubing must be inspected on a daily basis for leaks, cuts, abrasions, damage, aging, improper clearance, and along the frame for hidden damage. If you find hoses with any such adverse conditions or damage, they must be replaced before the vehicle is returned to service! Failure to properly inspect and maintain your vehicle may result in serious personal injury or death.