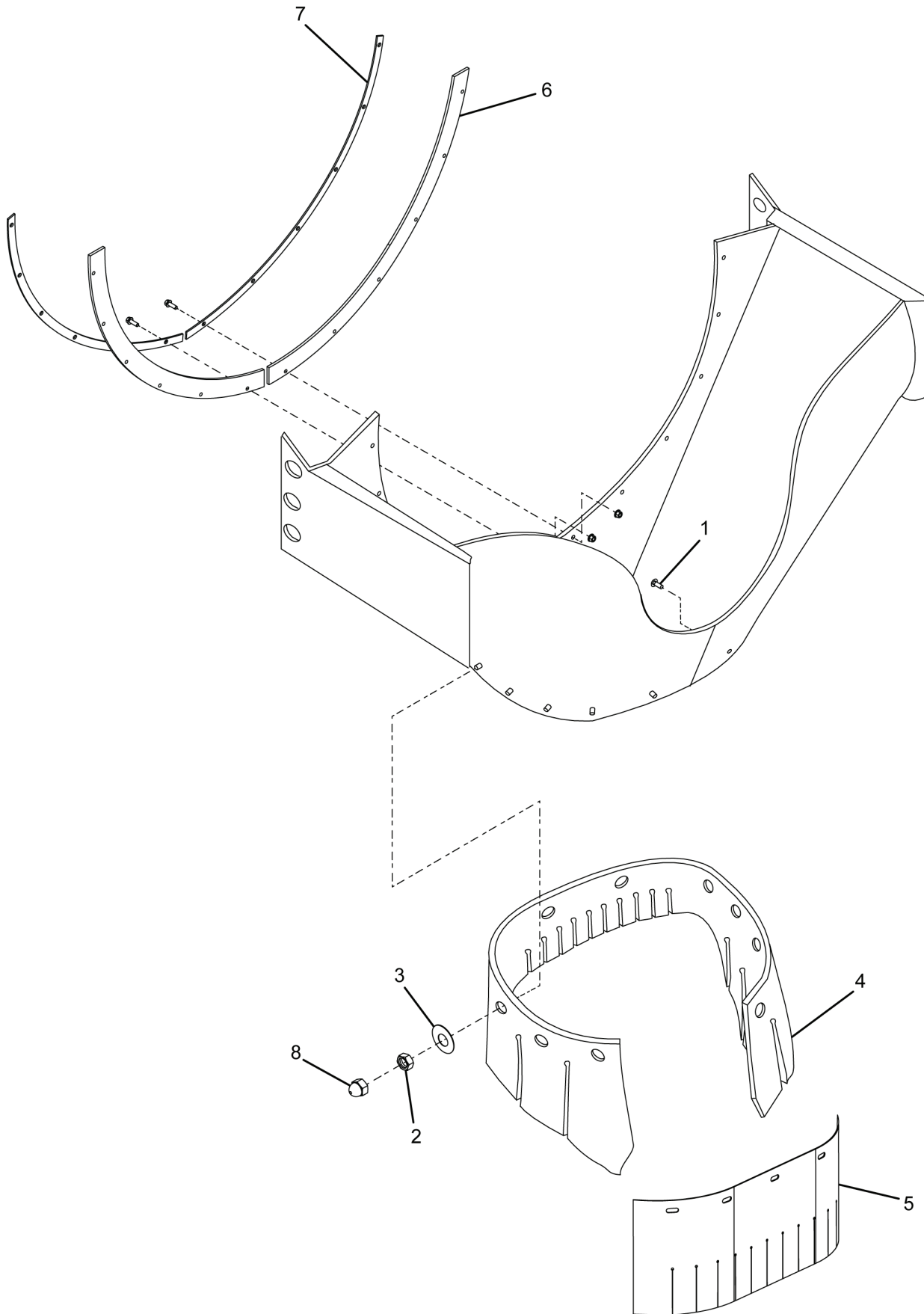


1



ITEM	PART #	PART DESCRIPTION	UOM	QTY
1	1324354	SCR,CRG .38-16X1.00 G5 ZC	EA	11
2	1100401	NUT,HEX .38-16 NY	EA	11
3	0200700	WASH,FLT .38X1.50X.07 ZC	EA	11
4	1140780	BIB,COLL,TYPE 3 POLY,115236	EA	1
4	0115236	BOOT,COLLECTOR CHUTE R	EA	1
5	1261897	BOOT,CLTR CHUTE ENCLSD RUBBER	EA	1
5	1261898	BOOT,CLTR CHUTE ENCLSD POLY	EA	1
6	1231648	BOOT,RBR,REV COLLECTOR	EA	2
7	1231627	STRIP,BACKING,COLLECTOR REV	EA	2
8	1518028	NUT,ACRN .38-16 NY BLK	EA	11

