

Vehicle Safety Recall - Technical Service Bulletin

PROMPT ACTION REQUIRED

Attention: McNeilus Product Owner
Subject: Bridgemaster V nylon reservoir filler neck replacement
Model Affected: Bridgemaster V 93
Model Years: 2008-2018
Date: August 2019

Purpose:

McNeilus Truck and Manufacturing, Inc. has been alerted from our supplier that a concern affecting safety exists in some parts that were sent to customers to correct the issue in VSR-TSB-018. It is possible that customers may have received the incorrect filler neck part during the initial safety recall for this issue. This bulletin outlines how to determine if you received the incorrect part and how to install the correct part once you have it.

As a reminder, VSR-TSB-018 discussed a concern affecting safety that existed in some McNeilus Bridgemaster V vehicles. Changing the filler neck component on certain nylon hydraulic oil reservoirs will improve venting of the reservoir which will help prevent failure/leaking of the reservoir.

Affected Vehicles:

The affected vehicle population is McNeilus Bridgemaster V mixers with nylon hydraulic oil reservoirs, produced between 2008-2018. Please refer to the list of affected part orders.

Time Completion:

Upon receipt of the parts, complete the enclosed Bridgemaster filler neck replacement procedure for each affected unit. The time of accomplishment may vary due to a number of factors; however, the estimated time for completion of the procedure is 1.0 hour under normal circumstances.

Required Action:

Review and verify your ownership of all affected serial numbers of McNeilus vehicles. If McNeilus records indicate that you are the owner of one or more affected units, a Serial Number List is enclosed. **Please be reminded that it is a violation of Federal law for you to sell or lease the trucks covered by this notification until this recall has been performed on these vehicles. Substantial civil penalties apply to violations of this law.**

NOTE! Do not use the mixer truck until the correct filler neck has been installed.

Reimbursement of Costs:

Affected units shall be repaired using the customer’s own qualified service technicians - at no cost to the owner. The repairs should take approximately 1.0 hour.

Labor Reimbursement:

In order to receive credit, claims are to be submitted through the normal warranty claim system. Claims must be received within 30 days of the repair. Claims must include the McNeilus serial number of the truck, the customer asset number, and the number of this bulletin.

Parts Reimbursement:

Parts and ground shipping will be reimbursed to the customer. Parts necessary for this repair must be ordered from McNeilus Parts at 888-686-7278.

Claims are to be submitted through the normal warranty claim system. Claims must be received within 30 days of the repair. Claims must include the McNeilus serial number of the truck, the customer asset number, and this bulletin’s number.

Contacts:

If you have questions or need further information, please contact a McNeilus National Service Representative at 888-686-7278.

Enclosures:

Filler neck replacement procedure

SAFETY NOTICE

Perform your company’s Lockout/Tagout procedure. If your company does not have a Lockout/Tagout procedure, follow OSHA 1910.147 and 1910.146 Confined Space as appropriate.

SAFETY NOTICE

Use appropriate Personal Protective Equipment (PPE) as required by your company.

PROCEDURE: Filler neck inspection for correct part replacement

Tools and Equipment Required (Customer to supply own):

- 7/16" wrench
- Hydraulic oil collection container (if needed)

Parts Required (Purchase from McNeilus):

Item	Part Number	Description	Qty.
1	1570075	NECK, NYLON RESERVOIR, BREATHER/FILL PORT	1

NOTE! Do not use the mixer truck until the correct filler neck has been installed.

1. Place unit on a flat surface, block truck tires, and perform your company's Lockout/Tagout procedure. If your company does not have a Lockout/Tagout procedure, follow OSHA 1910.147 and 1910.146 Confined Space as appropriate.
2. Unscrew the cap from the installed filler neck (Figure 1). The filler neck itself may be removed from the reservoir using a 7/16" wrench if access to it is hindered.

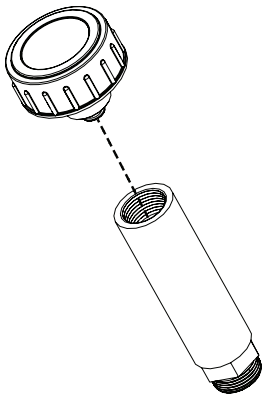
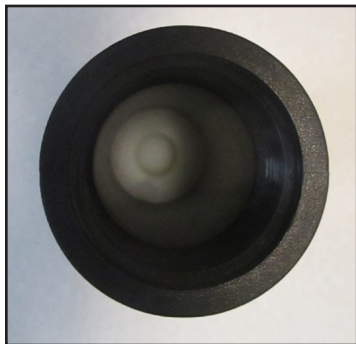


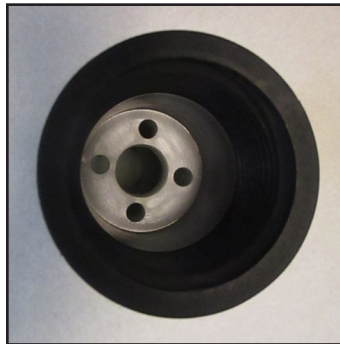
Figure 1

3. Inspect the filler neck.
 - If it has one visible hole when looking at it from the top (Figure 2), then it is the **incorrect** part. Continue with the rest of this bulletin to replace the incorrect part with the correct part.
 - If it has five visible holes (Figure 3), then it is the correct part and there is no need to replace it. Screw the cap back onto the filler neck. Proceed to Step 8 to finish the bulletin.



Incorrect Neck - 1 hole

Figure 2



Correct Neck - 5 holes

Figure 3

4. Inspect all additional filler neck parts you have on hand that are not installed on a vehicle.
5. Order the new, correct filler neck part from McNeilus by calling 888-686-7278 or visiting www.streetsmartparts.com. The part number of the filler neck is 1570075. Order as many filler neck parts you need to replace all incorrect filler neck parts.
6. When you have received the correct filler neck, install it according to the following steps.
7. Remove the existing filler neck from the reservoir. Keep the existing filler neck to be returned to McNeilus Warranty following the normal warranty claim process.
8. Remove the cap from the existing filler neck.
9. Screw the cap onto the new filler neck (Figure 4).

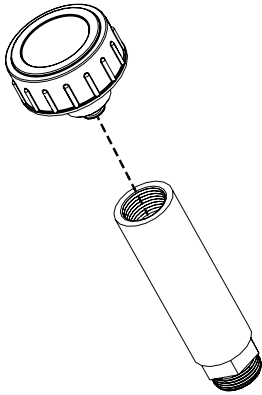


Figure 4

10. Ensure the o-ring is installed on the filler neck at the bottom threads.
11. Screw the filler neck onto the nylon reservoir and use the wrench to tighten the filler neck until snug. Then turn a 1/4 turn past snug. (See Figure 5)

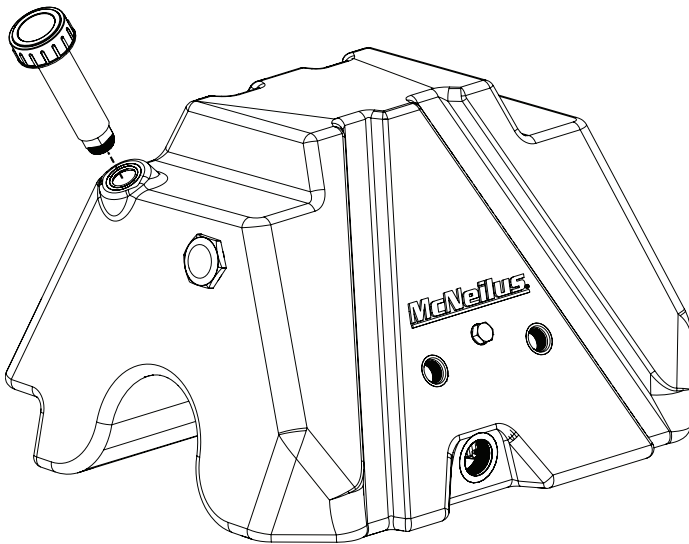


Figure 5

8. Remove your company's Lockout/Tagout procedure. If your company does not have a Lockout/Tagout procedure, follow OSHA 1910.147 and 1910.146 Confined Space as appropriate.
9. Check the oil level in the nylon reservoir sight glass (Figure 6, Item 1). The oil level should be visible in the middle of the sight glass.
 - For an accurate oil level reading, the Bridgemaster axle must be in the up position and the chute should be in the down position.

- If the oil level is higher, place an oil collection container under reservoir and drain oil from bottom plugs until the level is visible in the middle of the sight glass. Dispose of oil according to proper regulations.
- If the oil level is lower, refer to the operator's or service manuals for filling instructions.

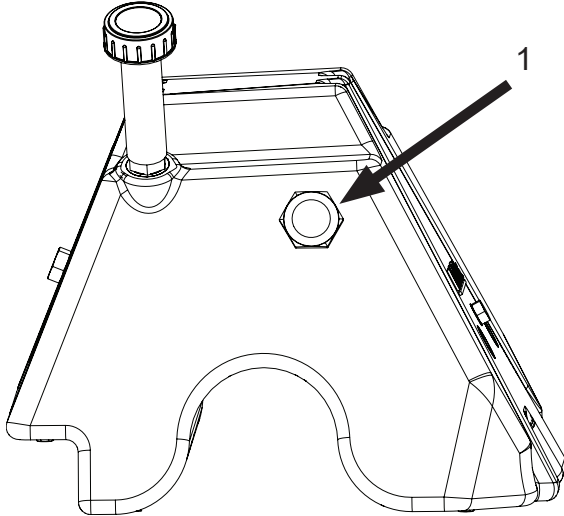


Figure 6

10. Reference the Mixer Mechanical Seminar and Training Manual (PN 1468111) for information on checking the nitrogen level and the nitrogen cylinder accumulator and filling if necessary. The Mixer Mechanical Seminar and Training Manual may be downloaded from www.streetsmartparts.com.
11. Return the incorrect filler neck part(s) to McNeilus Warranty by following the normal warranty claim process.
12. The procedure is complete.
13. The vehicle can be returned to service.

Continuous Improvement:

The change included in this document is part of the McNeilus Continuous Improvement Process.

McNeilus's quality policy is providing customer satisfaction through innovative products, dedicated service, and a constant focus on continuous improvement.



(888) 686-7278

www.streetsmartparts.com